



**DRIVELINE COMPONENTS CATALOG
COUPLING SHAFTS - SPL and 10 Series**

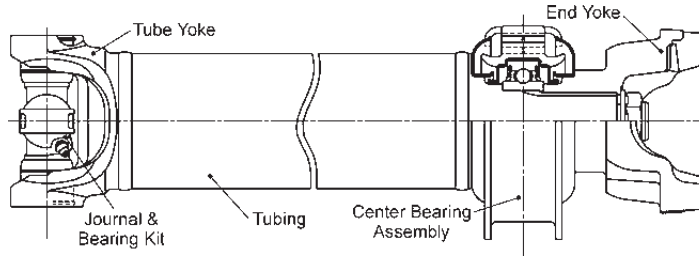


**J300P-11
OCTOBER 2008**

**Supersedes
Section 11, Dated
June 1974**



Coupling Shafts, Joint & Shaft Assemblies For Use With Companion Flange or End Yoke



Midship Stub Shaft		Center Bearing Assy.		Flat Washer	Shaft Nut or Cap Screw	End Yoke (4) or Companion Flange (1)
Part Number	Spline Dia. & No.	Part Number	Bearing I.D.			
1210 Series	Strap Kit 2-70-18X					For Kits 5-443X
Tubing Size: 2.000 x .083		Tubing Part Number: 16-30-62		Tube Yoke: 2-28-2417		
2-53-901	1.125 - 26	211431X	1.260	230123-12	231781	2-4-6191-1
1310 Series	Strap Kit 2-70-18X, U-bolt Kit 2-94-28X					For Kits 5-153X, 5-785X & 5-810X, 5-1200X
Tubing Size: 2.500 x .065		Tubing Part Number: 20-30-12		Tube Yoke: 2-28-277		
2-53-1321	1.125 - 26	211872-1X	1.181	230123-12	231781	2-4-7021-1
Tubing Size: 2.500 x .083		Tubing Part Number: 20-30-22		Tube Yoke: 2-28-367		
2-53-1191	1.375 - 10	210090-1X	1.378	~	16-74-101	2-4-2671
2-53-1351	1.125 - 26	211872-1X	1.181	230123-12	231781	2-4-7021-1
2-53-1051*	1.125 - 26	211589-1X	1.181	230123-12	231781	2-4-7291-1X
Tubing Size: 3.000 x .083		Tubing Part Number: 24-30-42		Tube Yoke: 2-28-437		
2-53-1151	1.375 - 10	211090-1X [▲]	1.378	~	16-74-101	2-4-2671
1350 Series	Strap Kit 3-70-28X					For Kits 5-178X & 5-799X
Tubing Size: 3.000 x .083		Tubing Part Number: 24-30-42		Tube Yoke: 3-28-57		
3-54-611	1.375 - 10	210367-1X	1.378	~	16-74-101	3-4-178-1X
Tubing Size: 3.500 x .083		Tubing Part Number: 28-30-62		Tube Yoke: 3-28-427		
3-53-2541	1.250 - 29	211359X	1.574	~	16-74-101	3-4-14621-1
3-53-2541	1.250 - 29	212053-1X	1.574	~	16-74-101	3-4-14621-1
3-53-2301	1.500 - 10	212053-1X	1.574	~	16-74-101	3-4-13881-1X
1410 Series	Strap Kit 3-70-28X					For Kits 5-160X & 5-801X
Tubing Size: 3.000 x .083		Tubing Part Number: 24-30-42		Tube Yoke: 3-28-97		
3-54-611	1.375 - 10	210367-1X	1.378	~	16-74-101	3-4-2851-1X
3-53-1811	1.500 - 10	210391-1X	1.574	~	16-74-101	3-4-2941-1
3-53-1781	1.500 - 10	210873-1X	1.574	~	16-74-101	3-4-6561-1
3-53-1781	1.500 - 10	210873-1X	1.574	~	16-74-101	3-4-6631-1X
Tubing Size: 3.000 x .095		Tubing Part Number: 24-30-12		Tube Yoke: 3-28-267		
3-53-1891	1.500 - 10	210873-1X	1.574	~	16-74-101	3-4-6561-1
3-53-1891	1.500 - 10	210873-1X	1.574	~	16-74-101	3-4-6631-1X
Tubing Size: 3.500 x .083		Tubing Part Number: 28-30-62		Tube Yoke: 3-28-557		
3-53-1821	1.500 - 10	210391-1X	1.574	~	16-74-101	3-4-2941-1
3-53-1791	1.500 - 10	210873-1X	1.574	~	16-74-101	3-4-6561-1
3-53-1791	1.500 - 10	210873-1X	1.574	~	16-74-101	3-4-6631-1X
3-53-2541	1.250 - 29	211359X	1.574	~	16-74-101	3-4-14591-1
3-53-2541	1.250 - 29	212053-1X	1.574	~	16-74-101	3-4-14591-1
Tubing Size: 4.000 x .083		Tubing Part Number: 32-30-22		Tube Yoke: 3-28-457		
3-53-1831	1.500 - 10	210391-1X	1.574	~	16-74-101	3-4-2941-1
3-53-1801	1.500 - 10	210873-1X	1.574	~	16-74-101	3-4-6561-1

* Part is discontinued ■ Part is available until supply is exhausted ▲ Not sold separately



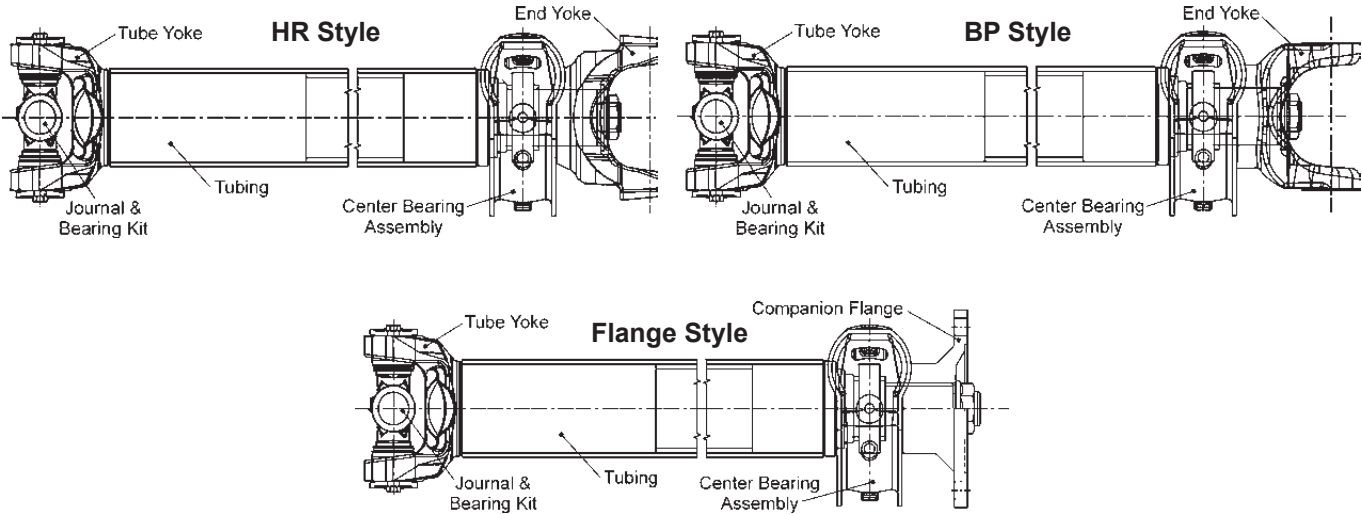
Coupling Shafts, Joint & Shaft Assemblies For Use With Companion Flange or End Yoke

Midship Stub Shaft		Center Bearing Assy.		Flat Washer	Shaft Nut or Cap Screw	End Yoke (4) or Companion Flange (1)
Part Number	Spline Dia. & No.	Part Number	Bearing I.D.			
1480 Series	Strap Kit 3-70-38X					For Kits 5-188X, 5-803X 5-804X
Tubing Size: 3.500 x .083		Tubing Part Number: 28-30-62		Tube Yoke: 3-28-537		
3-53-1821	1.500 - 10	210391-1X	1.574	~	16-74-101	3-4-4421-1X
3-53-1791	1.500 - 10	210873-1X	1.574	~	16-74-101	3-4-6901-1
Tubing Size: 4.000 x .083		Tubing Part Number: 32-30-22		Tube Yoke: 3-28-507		
3-53-1831	1.500 - 10	210391-1X	1.574	~	16-74-101	3-4-4421-1X
3-53-1801	1.500 - 10	210873-1X	1.574	~	16-74-101	3-4-6901-1
1550 Series	Strap Kit 3-70-38X					For Kits 5-155X, 5-808X 5-809X
Tubing Size: 3.500 x .095		Tubing Part Number: 28-30-22		Tube Yoke: 4-28-417		
4-53-401	1.500 - 10	210084-2X	1.771	~	16-74-101	4-4-4211-1
4-53-361	1.500 - 10	210391-1X	1.574	~	16-74-101	4-4-2051-1
Tubing Size: 4.000 x .083		Tubing Part Number: 32-30-22		Tube Yoke: 4-28-277		
4-53-271	1.500 - 10	210084-2X	1.771	~	16-74-101	4-4-4211-1
4-53-271	1.500 - 10	210084-2X	1.771	~	16-74-101	4-4-4211-2* <i>Uses OEM strap kit</i>
3-53-1831	1.500 - 10	210391-1X	1.574	~	16-74-101	4-4-2051-1

• Part is discontinued ■ Part is available until supply is exhausted ▲ Not sold separately



Important: See Safety Information in General Information Section (J300P-GI)



Midship Stub Shaft		Center Bearing Assy.		Flat Washer	Shaft Nut or Cap Screw	End Yoke (4) or Companion Flange (1)
Part Number	Spline Dia. & No.	Part Number	Bearing I.D.			
1610 Series Strap Kit 5-70-28X						For Kits 5-279X & 5-674X(HR)
Tube yokes can use either 5-279X or 5-674X U-joint						
Tubing Size: 3.500 x .134		Tubing Part Number: 28-30-92		Tube Yoke: 5-28-627		
5-53-141	1.750 - 10	210084-2X	1.771	~	231502	5-4-1721
5-53-141	1.750 - 10	210084-2X	1.771	~	231502	5-4-1721-1(HR)
5-53-261	1.750 - 34	210084-2X	1.771	~	231502	5-4-7171-1(HR)
Tubing Size: 4.000 x .134		Tubing Part Number: 32-30-52		Tube Yoke: 5-28-327		
5-53-191	1.750 - 10	210084-2X	1.771	~	231502	5-4-1721
5-53-191	1.750 - 10	210084-2X	1.771	~	231502	5-4-1721-1(HR)
5-53-271	1.750 - 34	210084-2X	1.771	~	231502	5-4-7171-1(HR)
1710 Series Strap Kit 6.5-70-18X or 212214X (cast style strap)						For Kits 5-280X & 5-675X(HR)
Tube yokes can use either 5-280X or 5-675X U-joint						
Tubing Size: 4.000 x .134		Tubing Part Number: 32-30-52		Tube Yoke: 6-28-347		
6-53-201	1.958 - 10	210121-1X	1.968	230123-6	231502	6-1-4641
6-53-201	1.958 - 10	210121-1X	1.968	230123-6	231502	6-4-1981
6-53-201	1.958 - 10	210121-1X	1.968	230123-6	231502	6-4-1981-1(HR)
6-53-411	1.950 - 38	210121-1X	1.968	230123-6	231502	6-4-7141
6-53-411	1.950 - 38	210121-1X	1.968	230123-6	231502	6-4-7141-1(HR)
6-53-201	1.958 - 10	210881-1X	1.968	230123-6	231502	6-1-4641
6-53-201	1.958 - 10	210881-1X	1.968	230123-6	231502	6-4-1981
6-53-201	1.958 - 10	210881-1X	1.968	230123-6	231502	6-4-1981-1(HR)
Tubing Size: 4.500 x .134		Tubing Part Number: 36-30-62		Tube Yoke: 6-28-407		
6-53-241	1.958 - 10	210121-1X	1.968	230123-6	231502	6-4-1981
6-53-241	1.958 - 10	210121-1X	1.968	230123-6	231502	6-4-1981-1(HR)
6-53-421	1.950 - 38	210121-1X	1.968	230123-6	231502	6-4-7141
6-53-421	1.950 - 38	210121-1X	1.968	230123-6	231502	6-4-7141-1(HR)
6-53-241	1.958 - 10	210881-1X	1.968	230123-6	231502	6-4-1981
6-53-241	1.958 - 10	210881-1X	1.968	230123-6	231502	6-4-1981-1(HR)
1710 HD Series Strap Kit 6.5-70-18X or 212214X (cast style strap)						For Kits 5-280X & 5-675X(HR)
Tube yokes can use either 5-280X or 5-675X U-joint						
Tubing Size: 4.000 x .134		Tubing Part Number: 32-30-52		Tube Yoke: 6-28-347		
6.3-53-21	2.350 - 46	5003323	2.362	230123-6	231502	6-4-7481-1 (HR)

• Part is discontinued ■ Part is available until supply is exhausted ▲ Not sold separately



Coupling Shafts, Joint & Shaft Assemblies For Use With Companion Flange or End Yoke



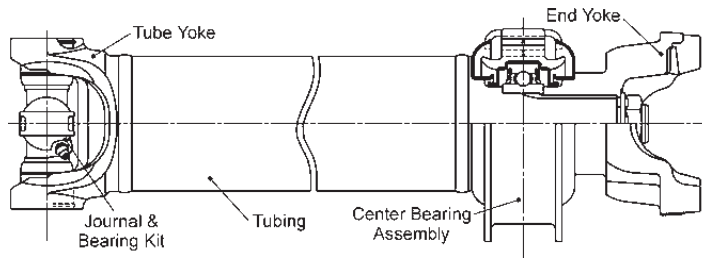
Midship Stub Shaft		Center Bearing Assy.		Flat Washer	Shaft Nut or Cap Screw	End Yoke (4) or Companion Flange (1)
Part Number	Spline Dia. & No.	Part Number	Bearing I.D.			
1710 HD Series (Con't) Strap Kit 6.5-70-18X or 212214X (cast style strap) For Kits 5-280X & 5-675X(HR) Tube yokes can use either 5-280X or 5-675X U-joint						
Tubing Size: 4.000 x .134		Tubing Part Number: 32-30-52		Tube Yoke: 6-28-347		
6.3-53-21	2.350 - 46	5003326	2.362	230123-6	231502	6-4-7481-1 (HR)
6-53-311	2.350 - 16	5003323	2.362	230123-6	231502	6-4-5071X
6-53-311	2.350 - 16	5003323	2.362	230123-6	231502	6-4-4601-1(HR)
6-53-311	2.350 - 16	5003326	2.362	230123-6	231502	6-4-5071X
6-53-311	2.350 - 16	5003326	2.362	230123-6	231502	6-4-4601-1(HR)
Tubing Size: 4.095 x .180		Tubing Part Number: 36-30-72		Tube Yoke: 6-28-347		
6-53-311	2.350 - 16	5003323	2.362	230123-6	20-74-91	6-1-5581
6-53-311	2.350 - 16	5003323	2.362	230123-6	231502	6-4-5071X
6-53-311	2.350 - 16	5003323	2.362	230123-6	231502	6-4-4601-1(HR)
6-53-311	2.350 - 16	5003326	2.362	230123-6	231502	6-4-5071X
6-53-311	2.350 - 16	5003326	2.362	230123-6	231502	6-4-4601-1(HR)
6.3-53-21	2.350 - 46	5003323	2.362	230123-6	231502	6-4-7481-1(HR)
6.3-53-21	2.350 - 46	5003326	2.362	230123-6	231502	6-4-7481-1(HR)
Tubing Size: 4.500 x .134		Tubing Part Number: 36-30-62		Tube Yoke: 6-28-407		
6.5-53-91	2.350 - 16	5003323	2.362	230123-6	231502	6-4-5071X
6.5-53-91	2.350 - 16	5003323	2.362	230123-6	231502	6-4-4601-1(HR)
6.5-53-91	2.350 - 16	5003326	2.362	230123-6	231502	6-4-5071X
6.5-53-91	2.350 - 16	5003326	2.362	230123-6	231502	6-4-4601-1(HR)
6.5-53-171	2.350 - 46	5003323	2.362	230123-6	231502	6-4-7481-1(HR)
6.5-53-171	2.350 - 46	5003326	2.362	230123-6	231502	6-4-7481-1(HR)
1760 Series Strap Kit 6.5-70-18X or 212214X (cast style strap) For Kits 5-407X & 5-677X(HR) Tube yokes can use either 5-407X or 5-677X U-joint						
Tubing Size: 4.095 x .180		Tubing Part Number: 32-30-72		Tube Yoke: 6.3-28-17		
6-53-311	2.350 - 16	5003323	2.362	230123-6	231502	6.3-4-161
6-53-311	2.350 - 16	5003323	2.362	230123-6	231502	6.3-4-161-1(HR)
6-53-311	2.350 - 16	5003326	2.362	230123-6	231502	6.3-4-161
6-53-311	2.350 - 16	5003326	2.362	230123-6	231502	6.3-4-161-1(HR)
6.3-53-21	2.350 - 46	5003323	2.362	230123-6	231502	6.3-4-821-1(HR)
6.3-53-21	2.350 - 46	5003326	2.362	230123-6	231502	6.3-4-821-1(HR)
1810 Series Strap Kit 6.5-70-18X or 212214X (cast style strap) For Kits 5-281X & 5-676X(HR) Tube yokes can use either 5-281X or 5-676X U-joint						
Tubing Size: 4.500 x .134		Tubing Part Number: 36-30-62		Tube Yoke: 6.5-28-117		
6.5-53-91	2.350 - 16	5003323	2.362	230123-6	20-74-91	6.5-1-1811
6.5-53-91	2.350 - 16	5003323	2.362	230123-6	231502	6.5-4-1891
6.5-53-91	2.350 - 16	5003323	2.362	230123-6	231502	6.5-4-1891-1(HR)
6.5-53-91	2.350 - 16	5003326	2.362	230123-6	20-74-91	6.5-1-1811
6.5-53-91	2.350 - 16	5003326	2.362	230123-6	231502	6.5-4-1891
6.5-53-91	2.350 - 16	5003326	2.362	230123-6	231502	6.5-4-1891-1(HR)
6.5-53-171	2.350 - 46	5003323	2.362	230123-6	231502	6.5-4-3591-1(HR)
6.5-53-171	2.350 - 46	5003326	2.362	230123-6	231502	6.5-4-3591-1(HR)
Tubing Size: 4.500 x .259		Tubing Part Number: 36-30-22		Tube Yoke: 6.5-28-127		
6.5-53-51	2.350 - 16	5003323	2.362	230123-6	231502	6.5-4-1891
6.5-53-51	2.350 - 16	5003323	2.362	230123-6	231502	6.5-4-1891-1(HR)
6.5-53-51	2.350 - 16	5003326	2.362	230123-6	231502	6.5-4-1891
6.5-53-51	2.350 - 16	5003326	2.362	230123-6	231502	6.5-4-1891-1(HR)
6.5-53-181	2.350 - 46	5003323	2.362	230123-6	231502	6.5-4-3591-1(HR)
6.5-53-181	2.350 - 46	5003326	2.362	230123-6	231502	6.5-4-3591-1(HR)

• Part is discontinued ■ Part is available until supply is exhausted ▲ Not sold separately



Important: See Safety Information in General Information Section (J300P-GI)

Coupling Shafts, Joint & Shaft Assemblies For Use With Companion Flange or End Yoke

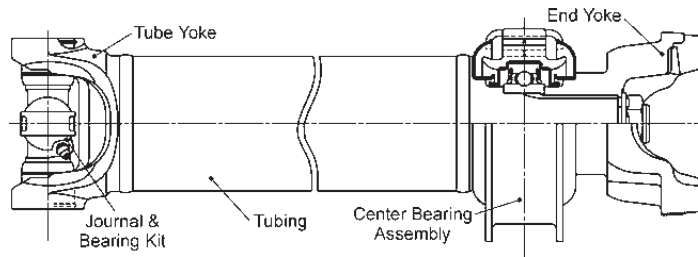


Midship Stub Shaft		Center Bearing Assy.		Flat Washer	Shaft Nut or Cap Screw	End Yoke (4) or Companion Flange (1)
Part Number	Spline Dia. & No.	Part Number	Bearing I.D.			
SPL55 Series		Strap Kit - 3-70-38X		For Kits 5-803X & 5-804X		
Tubing Size: 3.500 x .083		Tubing Part Number: 28-30-62		Tube Yoke: 3-28-537		
55-53-101	1.543 - 36	212031X	1.574	~	16-74-101	55-4-11-1
55-53-101	1.543 - 36	212144-1X *	1.574	~	16-74-101	55-4-11-1
<i>* Do not use Boot Can</i>						
SPL70 Series		Strap Kit - 3-70-38X		For Kits 5-808X & 5-809X		
Tubing Size: 3.500 x .095		Tubing Part Number: 28-30-22		Tube Yoke: 4-28-307		
70-53-61	1.750 - 34	212134-1X	1.771	230123-6	20-74-91	70-4-11-1
70-53-61	1.750 - 34	212261-1X	1.771	230123-6	20-74-91	70-4-11-1
Tubing Size: 4.000 x .083		Tubing Part Number: 32-30-22		Tube Yoke: 4-28-277		
70-53-31•	1.750 - 34	212134-1X	1.771	230123-6	20-74-91	70-4-11-1
70-53-31•	1.750 - 34	212145-1X *	1.771	230123-6	20-74-91	70-4-11-1
<i>* Do not use Boot Can</i>						
SPL90 Series		Strap Kit - 90-70-28X		For Kit SPL100-1X		
Tubing Size: 4.000 x .095		Tubing Part Number: 32-30-12		Tube Yoke: 90-28-17		
90-53-31	1.750 - 34	210084-2X	1.771	~	231502	90-4-11-1
Tubing Size: 4.000 x .134		Tubing Part Number: 32-30-52		Tube Yoke: 90-28-27		
90-53-11	1.750 - 34	210084-2X	1.771	~	231502	90-4-11-1
SPL100 Series		Strap Kit - 90-70-28X		For Kit SPL100-1X		
Tubing Size: 4.000 x .095		Tubing Part Number: 32-30-12		Tube Yoke: 100-28-17		
100-53-31	1.750 - 34	212134-1X	1.771	230123-6	20-74-91	100-4-931-1
100-53-31	1.750 - 34	212261-1X	1.771	230123-6	20-74-91	100-4-931-1

• Part is discontinued ■ Part is available until supply is exhausted ▲ Not sold separately



Coupling Shafts, Joint & Shaft Assemblies For Use With Companion Flange or End Yoke



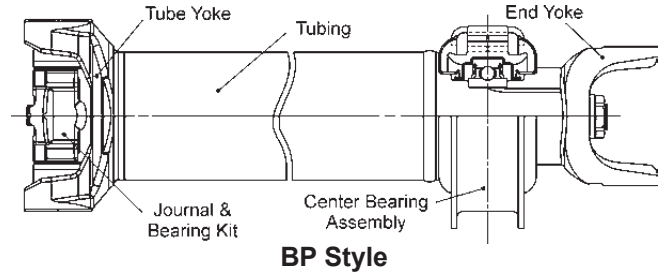
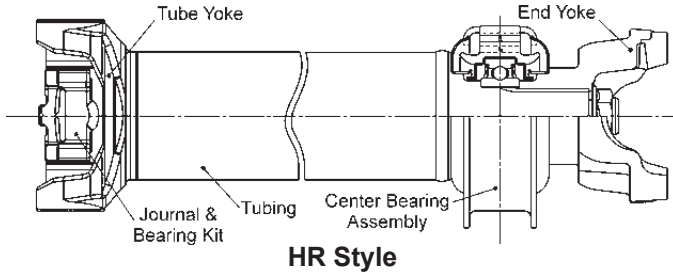
Midship Stub Shaft		Center Bearing Assy.		Flat Washer	Shaft Nut or Cap Screw	End Yoke (4) or Companion Flange (1)
Part Number	Spline Dia. & No.	Part Number	Bearing I.D.			
SPL140 Series Strap Kit - 140-70-18X						For Kit SPL140X
Tubing Size: 4.213 x .138		Tubing Part Number: 100-30-3		Tube Yoke: 140-28-17		
140-53-11	1.950 - 38	210121-1X	1.968	230123-6	250-74-11	140-4-11-1
140-53-11	1.950 - 38	210881-1X	1.968	230123-6	250-74-11	140-4-11-1
140-53-21	2.350 - 46	5003323	2.362	230123-6	250-74-11	140-4-1011-1
140-53-21	2.350 - 46	5003326	2.362	230123-6	250-74-11	140-4-1011-1
Tubing Size: 4.331 x .197		Tubing Part Number: 100-30-5		Tube Yoke: 140-28-17		
140-53-11	1.950 - 38	210121-1X	1.968	230123-6	250-74-11	140-4-11-1
140-53-11	1.950 - 38	210881-1X	1.968	230123-6	250-74-11	140-4-11-1
140-53-21	2.350 - 46	5003323	2.362	230123-6	250-74-11	140-4-1011-1
140-53-21	2.350 - 46	5003326	2.362	230123-6	250-74-11	140-4-1011-1
SPL170 Series Strap Kit - 170-70-18X						For Kit SPL170-3X
Tubing Size: 4.961 x .118		Tubing Part Number: 120-30-3		Tube Yoke: 170-28-17		
250-53-11	2.350 - 46	5003323	2.362	230123-6	250-74-11	170-4-1271-1
250-53-11	2.350 - 46	5003326	2.362	230123-6	250-74-11	170-4-1271-1
250-53-11	2.350 - 46	5003628	2.362	230123-6	250-74-11	170-4-1271-1
Tubing Size: 5.059 x .167		Tubing Part Number: 120-30-4		Tube Yoke: 170-28-17		
250-53-11	2.350 - 46	5003323	2.362	230123-6	250-74-11	170-4-1271-1
250-53-11	2.350 - 46	5003326	2.362	230123-6	250-74-11	170-4-1271-1
SPL250 Series Strap Kit - 250-70-18X						For Kit SPL250X
Tubing Size: 5.059 x .167		Tubing Part Number: 120-30-4		Tube Yoke: 250-28-17		
250-53-11	2.350 - 46	5003323	2.362	230123-6	250-74-11	250-4-21-1
250-53-11	2.350 - 46	5003326	2.362	230123-6	250-74-11	250-4-21-1
Tubing Size: 5.118 x .197		Tubing Part Number: 120-30-5		Tube Yoke: 250-28-17		
250-53-11	2.350 - 46	5003323	2.362	230123-6	250-74-11	250-4-21-1
250-53-11	2.350 - 46	5003326	2.362	230123-6	250-74-11	250-4-21-1
Tubing Size: 5.197 x .236		Tubing Part Number: 120-30-6		Tube Yoke: 250-28-17		
250-53-11	2.350 - 46	5003323	2.362	230123-6	250-74-11	250-4-21-1
250-53-11	2.350 - 46	5003326	2.362	230123-6	250-74-11	250-4-21-1

• Part is discontinued ■ Part is available until supply is exhausted ▲ Not sold separately



Important: See Safety Information in General Information Section (J300P-GI)

Coupling Shafts Adapter Type Joint & Shaft Assemblies

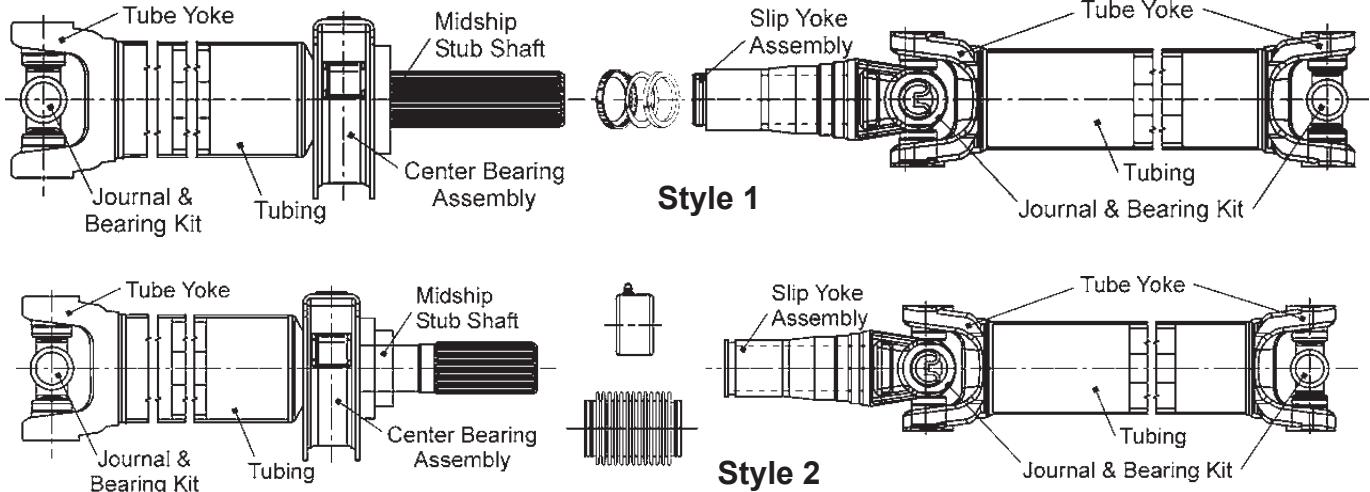


Midship Stub Shaft		Center Bearing Assy.		Flat Washer	Shaft Nut or Cap Screw	End Yoke (4) or Companion Flange (1)
Part Number	Spline Dia. & No.	Part Number	Bearing I.D.			
Spicer 1550 HR Series - Will Adapt To Mechanics 6C or Meritor (Rockwell) 62N For Kits 6C-5X or 6C-3X						
Tubing Size: 3.500 x .095		Tubing Part Number: 28-30-22		Tube Yoke: 4-28-417		
4-53-361	1.500 - 10	210391-1X	1.574	~	16-74-101	4-4-2051-1 <i>3-70-28X Strap Kit used on End yoke</i>
Spicer 1550 HR Series - Will Adapt To Meritor (Rockwell) 58WB For Kits 5-328X						
Tubing Size: 3.500 x .095		Tubing Part Number: 28-30-22		Tube Yoke: 4-28-417		
4-53-361	1.500 - 10	210391-1X	1.574	~	16-74-101	4-4-2051-1 <i>3-70-28X Strap Kit used on End yoke</i>
Spicer 1810 BP Series - Will Adapt To Mechanics 9C or Meritor (Rockwell) 88WB & 92N For Kits 5-324X						
Tubing Size: 4.500 x .259		Tubing Part Number: 36-30-22		Tube Yoke: 6.5-28-127		
6.5-53-51	2.350 - 16	5003323	3.362	230123-6	231502	6.5-4-1891

• Part is discontinued ■ Part is available until supply is exhausted ▲ Not sold separately



**Coupling Shafts, Joint & Shaft Assemblies
For Use With Outboard Slip Yoke**



Midship Stub Shaft		Center Bearing Assy.		Slip Yoke Assy.			Style
Part Number	Spline Dia. & No.	Part Number	Bearing I.D.	Part Number	Dust Cap Kit (D) or Boot Kit (B)	Total Slip	

1310 Series For Kits 5-153X, 5-785X & 5-810X, 5-1200X

Tubing Size: 2.000 x .083	Tubing Part Number: 16-30-62	Front & Rear Shaft Tube Yoke: 2-28-357					
2-53-511 1.375 - 16	210088-1X 1.378	2-3-4951KX *	D3E (D)	2.625		1	
2-53-121 1.375 - 16	210088-1X 1.378	2-3-128KX *	D3E (D)	2.125		1	

* Replace Dust Cap in Slip Yoke Assembly with D3E Dust Cap

Tubing Size: 2.500 x .065	Tubing Part Number: 20-30-12	Front & Rear Shaft Tube Yoke: 2-28-277					
2-53-531 1.375 - 16	210088-1X 1.378	2-3-4951KX *	D3E (D)	2.625		1	

* Replace Dust Cap in Slip Yoke Assembly with D3E Dust Cap

Tubing Size: 2.500 x .083	Tubing Part Number: 20-30-22	Front & Rear Shaft Tube Yoke: 2-28-367					
2-53-681 1.375 - 15/16	211175X 1.378	2-3-7661KX	211121X (B)	3.250		2	
2-53-471 1.375 - 16	210088-1X 1.378	2-3-4951KX *	D3E (D)	2.625		1	
3-53-1351 1.375 - 16	210370-1X 1.378	2-3-128KX *	D3E (D)	2.125		1	

* Replace Dust Cap in Slip Yoke Assembly with D3E Dust Cap

Tubing Size: 3.000 x .0665	Tubing Part Number: 24-30-32	Front & Rear Shaft Tube Yoke: 2-28-327					
2-53-691 1.375 - 15/16	211175X 1.378	2-3-7661KX	211121X (B)	3.250		2	
2-53-491 1.375 - 16	210088-1X 1.378	2-3-4951KX *	D3E (D)	2.625		1	

* Replace Dust Cap in Slip Yoke Assembly with D3E Dust Cap

Tubing Size: 3.000 x .083	Tubing Part Number: 24-30-42	Front & Rear Shaft Tube Yoke: 2-28-437					
2-53-711 1.375 - 15/16	211175X 1.378	2-3-7661KX	211121X (B)	3.250		2	
3-53-1181 1.376 - 31/32	210370-1X 1.378	2-3-10261KX	211121X (B)	2.220		2	
2-53-501 1.375 - 16	210088-1X 1.378	2-3-4951KX *	D3E (D)	2.625		1	
3-53-1361 1.375 - 16	210370-1X 1.378	2-3-128KX *	D3E (D)	2.125		1	

* Replace Dust Cap in Slip Yoke Assembly with D3E Dust Cap

Tubing Size: 3.500 x .083	Tubing Part Number: 28-30-62	Front & Rear Shaft Tube Yoke: 2-28-427					
3-53-1301 1.376 - 31/32	210866-1X 1.574	2-3-10261KX	211121X (B)	2.220		2	

1330 Series For Kits 5-213X, 5-790X, 5-812X, 5-1203X

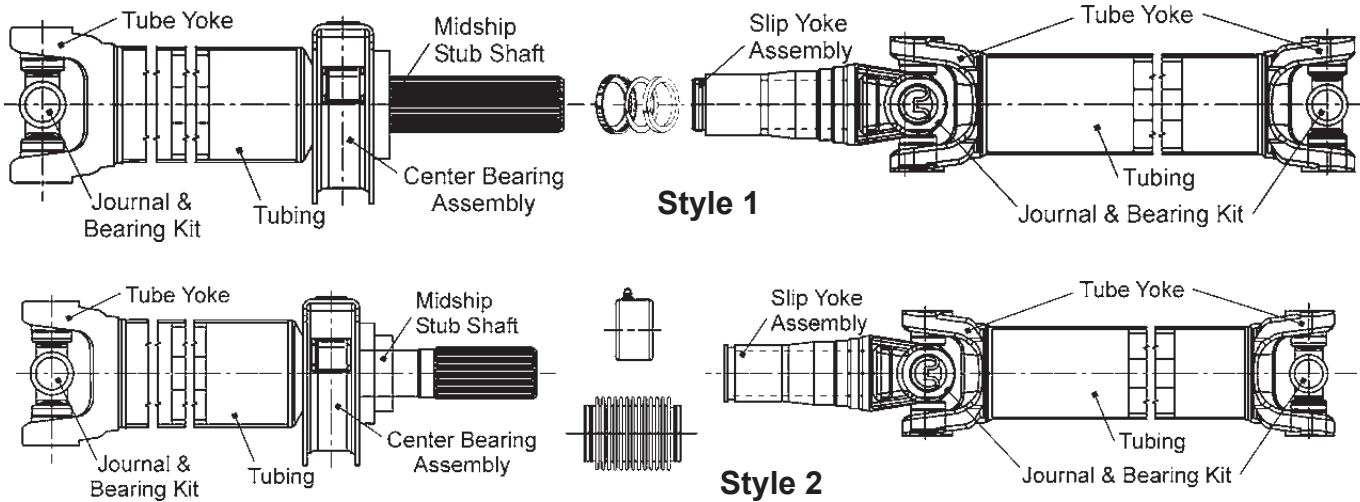
Tubing Size: 2.500 x .083	Tubing Part Number: 20-30-22	Front & Rear Shaft Tube Yoke: 2-28-1707					
2-53-681 1.375 - 15/16	211175X 1.378	2-3-7681KX	211121X (B)	3.125		2	
2-53-471 1.375 - 16	210088-1X 1.378	2-3-4681KX	D3E (D)	2.750		1	

Tubing Size: 3.000 x .065	Tubing Part Number: 24-30-32	Front & Rear Shaft Tube Yoke: 2-28-1177					
2-53-491 1.375 - 16	210088-1X 1.378	2-3-4681KX	D3E (D)	2.750		1	
2-53-1441 1.312 - 19/20	212028-1X 1.574	2-3-13831X	212094X (B)	2.000		2	
2-53-1441 1.312 - 19/20	212032-1X 1.574	2-3-13831X	212094X (B)	2.000		2	

• Part is discontinued ■ Part is available until supply is exhausted ▲ Not sold separately



Important: See Safety Information in General Information Section (J300P-GI)



Midship Stub Shaft		Center Bearing Assy.		Slip Yoke Assy.			Style
Part Number	Spline Dia. & No.	Part Number	Bearing I.D.	Part Number	Dust Cap Kit (D) or Boot Kit (B)	Total Slip	
1330 Series (Continued)				For Kits 5-213X, 5-790X, 5-812X, 5-1203X			
Tubing Size: 3.000 x .083		Tubing Part Number: 24-30-42		Front & Rear Shaft Tube Yoke: 2-28-1697			
2-53-691	1.375 - 15/16	211175X	1.378	2-3-7681KX	211121X (B)	3.125	2
2-53-711	1.375 - 15/16	211175X	1.378	2-3-7681KX	211121X (B)	3.125	2
2-53-501	1.375 - 16	210088-1X	1.378	2-3-4681KX	D3E (D)	2.750	1
1350 Series				For Kits 5-178X & 5-799X			
Tubing Size: 2.500 x .083		Tubing Part Number: 20-30-22		Front & Rear Shaft Tube Yoke: 3-28-47			
2-53-471	1.375 - 16	210088-1X	1.378	3-3-1501KX	D3G (D)	2.750	1
3-53-1351	1.375 - 16	210370-1X	1.378	3-3-1501KX	D3G (D)	2.563	1
Tubing Size: 3.000 x .083		Tubing Part Number: 24-30-42		Front & Rear Shaft Tube Yoke: 3-28-57			
2-53-501	1.375 - 16	210088-1X	1.378	3-3-1501KX	D3G (D)	2.750	1
3-53-1371	1.375 - 16	210088-1X	1.378	3-3-758KX	D3E (D)	2.000	1
3-53-1361	1.375 - 16	210370-1X	1.378	3-3-1501KX	D3G (D)	2.563	1
3-53-1181	1.375 - 31/32	210370-1X	1.378	3-3-2471KX	D3F (D)	2.080	2
3-53-2451	1.437 - 21/22	211499X	1.574	3-3-6201X	211503X (B)	3.120	2
3-53-1551	1.500 - 15/16	211793-1X	1.574	3-3-4781X	212010X (B)	2.000	2
3-53-1551	1.500 - 15/16	211735-2X	1.574	3-3-5921X	211158X (B)	3.120	2
3-53-1551	1.500 - 15/16	211793-1X	1.574	3-3-5921X	211158X (B)	3.120	2
3-53-1951	1.500 - 15/16	211359X	1.574	3-3-4781X	211503X (B)	3.120	2
Tubing Size: 3.500 x .065		Tubing Part Number: 28-30-42		Front & Rear Shaft Tube Yoke: 3-28-257			
3-53-2381	1.437 - 21/22	212028-1X	1.574	3-3-6381X	212094X (B)	2.590	2
3-53-2381	1.437 - 21/22	212030-1X	1.574	3-3-6381X	212094X (B)	2.590	2
3-53-2381	1.437 - 21/22	212032-1X	1.574	3-3-6381X	212094X (B)	2.590	2
Tubing Size: 3.500 x .083		Tubing Part Number: 28-30-62		Front & Rear Shaft Tube Yoke: 3-28-427			
3-53-2591	1.437 - 21/22	211499X	1.574	3-3-6981X	211503X (B)	2.618	2
3-53-2591	1.437 - 21/22	211359X	1.574	3-3-6981X	211503X (B)	2.618	2
3-53-2281	1.500 - 15/16	211499X	1.574	3-3-4781X	211503X (B)	3.120	2
1410 Series				For Kits 5-160X & 5-801X			
Tubing Size: 3.000 x .083		Tubing Part Number: 24-30-42		Front & Rear Shaft Tube Yoke: 3-28-97			
3-53-1361	1.375 - 16	210370-1X	1.378	3-3-1481KX	D3G (D)	2.594	1
3-53-1371	1.375 - 16	210088-1X	1.378	3-3-788KX	D3E (D)	2.000	1
3-53-2451	1.437 - 21/22	211359X	1.574	3-3-6611X	211503X (B)	3.120	2
3-53-2451	1.437 - 21/22	211359X	1.574	3-3-6701X	211503X (B)	2.618	2
3-53-1551	1.500 - 15/16	211359X	1.574	3-3-5411X	211158X (B)	3.120	2

• Part is discontinued ■ Part is available until supply is exhausted ▲ Not sold separately



Coupling Shafts, Joint & Shaft Assemblies For Use With Outboard Slip Yoke

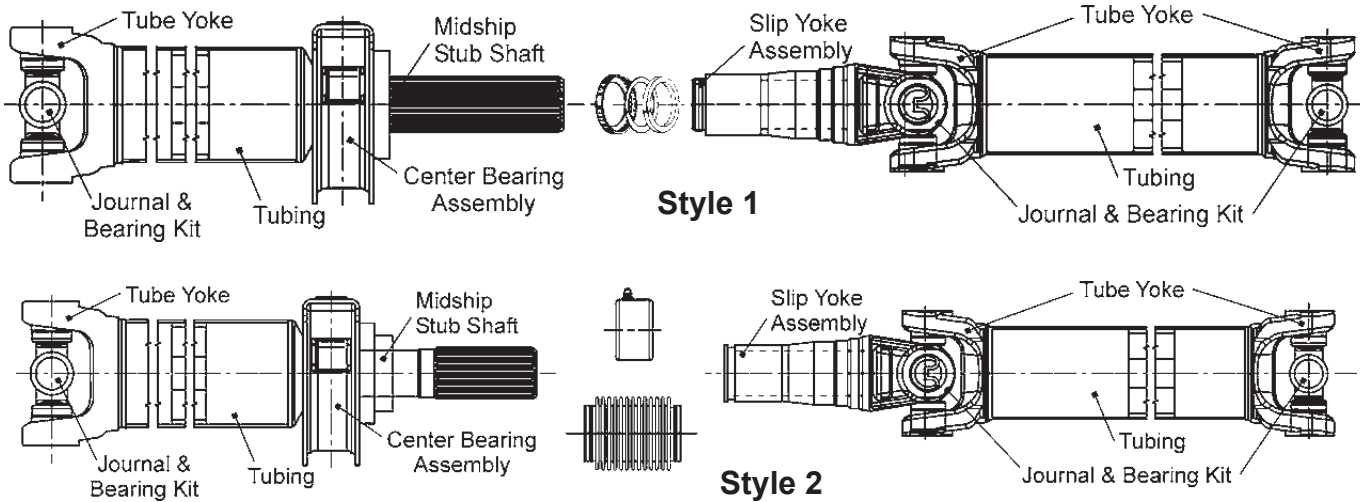


Midship Stub Shaft		Center Bearing Assy.		Slip Yoke Assy.			Style
Part Number	Spline Dia. & No.	Part Number	Bearing I.D.	Part Number	Dust Cap Kit (D) or Boot Kit (B)	Total Slip	
1410 Series (Continued)				For Kits 5-160X & 5-801X			
Tubing Size: 3.000 x .083		Tubing Part Number: 24-30-42		Front & Rear Shaft Tube Yoke: 3-28-97			
3-53-1951	1.500 - 15/16	211359X	1.574	3-3-4871X	211503X (B)	3.120	2
3-53-1951	1.500 - 15/16	211848-1X	1.574	3-3-4871X	211503X (B)	3.120	2
3-53-1951	1.500 - 15/16	211963-1X	1.574	3-3-4871X	211503X (B)	3.120	2
3-53-1031	1.500 - 16	210866-1X	1.574	3-3-2041KX	D3K (D)	2.000	1
Tubing Size: 3.500 x .065		Tubing Part Number: 28-30-42		Front & Rear Shaft Tube Yoke: 3-28-367			
3-53-2381	1.437 - 21/22	212028-1X	1.574	3-3-6341X	212094X (B)	2.590	2
3-53-2381	1.437 - 21/22	212030-1X	1.574	3-3-6701X	212094X (B)	2.590	2
3-53-2381	1.437 - 21/22	212032-1X	1.574	3-3-6701X	212094X (B)	2.590	2
3-53-2381	1.437 - 21/22	212031-1X	1.574	3-3-6701X	212094X (B)	2.590	2
3-53-2381	1.437 - 21/22	212028-1X	1.574	3-3-6701X	212094X (B)	2.590	2
3-53-2011	1.500 - 15/16	211793-1X	1.574	3-3-5411KX	211158X (B)	3.120	2
Tubing Size: 3.500 x .083		Tubing Part Number: 28-30-62		Front & Rear Shaft Tube Yoke: 3-28-557			
3-53-2441	1.437 - 21/22	212031-1X	1.574	3-3-6341X	212094X (B)	2.590	2
3-53-2441	1.437 - 21/22	212030-1X	1.574	3-3-6341X	212094X (B)	2.590	2
3-53-2441	1.437 - 21/22	212030-1X	1.574	3-3-6701X	212094X (B)	2.590	2
3-53-2441	1.437 - 21/22	212031-1X	1.574	3-3-6701X	212094X (B)	2.590	2
3-53-2591	1.437 - 21/22	211359X	1.574	3-3-6701X	212094X (B)	2.650	2
3-53-2281	1.500 - 15/16	211963-1X	1.574	3-3-4871X	211503X (B)	3.120	2
3-53-2281	1.500 - 15/16	211359X	1.574	3-3-4871X	211503X (B)	3.120	2
3-53-1121	1.500 - 16	210866-1X	1.574	3-3-2041KX	D3K (D)	2.000	1
5007832	1.562 - 16	210433-1X	1.574	3-3-1701KX	D3H (D)	2.500	2
3-53-2571	39.7mm - 23/24	211499X	1.574	3-3-7001X	212007X (B)	2.500	2
3-53-2571	39.7mm - 23/24	211359X	1.574	3-3-7001X	212007X (B)	2.500	2
Tubing Size: 4.000 x .083		Tubing Part Number: 32-30-22		Front & Rear Shaft Tube Yoke: 3-28-457			
3-53-2561	39.7mm - 23/24	211359X	1.574	3-3-7001X	212007X (B)	2.500	2
3-53-1391	1.375-16	210088-1X	1.378	3-3-788KX	D3C (D)	2.000	1
3-53-1131	1.500 - 16	210866-1X	1.574	3-3-2041KX	D3K (D)	2.000	1
3-53-1191	1.562 - 16	210433-1X	1.574	3-3-1701KX *	D3J (D)	3.125	1
<i>* Replace Dust Cap Kit in Slip Yoke Kit Assembly with D3J</i>							
1480 Series				For Kits 5-188X, 5-803X 5-804X			
Tubing Size: 3.500 x .083		Tubing Part Number: 28-30-62		Front & Rear Shaft Tube Yoke: 3-28-537			
5007832	1.562 - 16	210433-1X	1.574	3-3-1601KX	D3H (D)	2.500	2
<i>* Replace Dust Cap Kit in Slip Yoke Kit Assembly with D3H</i>							
3-53-2571	1.562 - 23/24	211499X	1.574	3-3-6061X	212007X (B)	2.500	2
3-53-2571	1.562 - 23/24	211359X	1.574	3-3-6061X	212007X (B)	2.500	2
3-53-2571	1.562 - 23/24	211793-1X	1.574	3-3-6061X	212007X (B)	2.500	2
Tubing Size: 4.000 x .083		Tubing Part Number: 32-30-22		Front & Rear Shaft Tube Yoke: 3-28-507			
3-53-1191	1.562 - 16	210433-1X	1.574	3-3-1601KX	D3J (D)	3.125	1
1550 Series				For Kits 5-155X, 5-808X 5-809X			
Tubing Size: 3.500 x .095		Tubing Part Number: 28-30-22		Front & Rear Shaft Tube Yoke: 4-28-307			
4-53-61	1.750 - 16	210207-1X	1.771	4-3-1241KX	D4K (D)	2.750	1
SPL55 Series				For Kits SPL55-1X, XPL55-2X, 5-803X & 5-804X			
Tubing Size: 3.500 x .083		Tubing Part Number: 28-30-62		Front & Rear Shaft Tube Yoke: 3-28-537			
55-53-51	39.7mm - 23/24	212031-1X	1.574	55-3-81X	212094X	3.830	2

• Part is discontinued ■ Part is available until supply is exhausted ▲ Not sold separately



Important: See Safety Information in General Information Section (J300P-GI)



Midship Stub Shaft		Center Bearing Assy.		Slip Yoke Assy.			Style
Part Number	Spline Dia. & No.	Part Number	Bearing I.D.	Part Number	Dust Cap Kit (D) or Boot Kit (B)	Total Slip	
SPL70 Series				For Kits SPL70X, SPL70-1X, 5-808X & 5-809X			
Tubing Size: 4.000 x .083		Tubing Part Number: 32-30-22		Front & Rear Shaft Tube Yoke: 4-28-277			
70-53-11	44.5mm - 26/27	212135-1X	1.771	70-3-21X	212146X (B)	3.300	2
SPL100 Series				For Kit SPL100-1X			
Tubing Size: 4.000 x .095		Tubing Part Number: 32-30-12		Front & Rear Shaft Tube Yoke: 100-28-17*			
100-53-21	49.2mm - 29/30	212142-1X	1.968	100-3-41X	212146X (B)	3.830	2

**Some front tube yoke on the rear shaft may use part number 100-28-27, which uses strap kit 90-70-28X*

● Part is discontinued ■ Part is available until supply is exhausted ▲ Not sold separately



2-3-10261KX.....	9	3-3-6201X.....	10	3-53-2281.....	10,11
2-3-128KX.....	9	3-3-6341X.....	11	3-53-2301.....	2
2-3-13831X.....	9	3-3-6381X.....	10	3-53-2381.....	10,11
2-3-4681KX.....	9,10	3-3-6611X.....	10	3-53-2441.....	11
2-3-4951KX.....	9	3-3-6701X.....	10,11	3-53-2451.....	10
2-3-7661KX.....	9	3-3-6981X.....	10	3-53-2541.....	2
2-3-7681KX.....	9,10	3-3-7001X.....	11	3-53-2561.....	11
2-4-2671.....	2	3-3-758KX.....	10	3-53-2571.....	11
2-4-6191-1.....	2	3-3-788KX.....	10,11	3-53-2591.....	10,11
2-4-7021-1.....	2	3-4-178-1X.....	2	3-54-611.....	2
2-4-7291-1X.....	2	3-4-2851-1X.....	2	4-3-1241KX.....	11
2-28-277.....	2,9	3-4-2941-1.....	2	4-4-2051-1.....	3,8
2-28-327.....	9	3-4-4421-1X.....	3	4-4-4211-1.....	3
2-28-357.....	9	3-4-6561-1.....	2	4-4-4211-2.....	3
2-28-367.....	2,9	3-4-6631-1X.....	2	4-28-277.....	3,6,12
2-28-427.....	9	3-4-6901-1.....	3	4-28-307.....	6,11
2-28-437.....	2,9	3-4-13881-1X.....	2	4-28-417.....	3,8
2-28-1177.....	9	3-4-14591-1.....	2	4-53-61.....	11
2-28-1697.....	10	3-4-14621-1.....	2	4-53-271.....	3
2-28-1707.....	9	3-28-47.....	10	4-53-361.....	3,8
2-28-2417.....	2	3-28-57.....	2,10	4-53-401.....	3
2-53-121.....	9	3-28-97.....	2,10,11	5-4-1721.....	4
2-53-471.....	9,10	3-28-257.....	10	5-4-1721-1.....	4
2-53-491.....	9	3-28-267.....	2	5-4-1721.....	4
2-53-501.....	9,10	3-28-367.....	11	5-4-1721-1.....	4
2-53-511.....	9	3-28-427.....	2,10	5-4-7171-1.....	4
2-53-531.....	9	3-28-457.....	2,11	5-28-327.....	4
2-53-681.....	9	3-28-507.....	3,11	5-28-627.....	4
2-53-691.....	9,10	3-28-537.....	3,6,11	5-53-141.....	4
2-53-711.....	9,10	3-28-557.....	2,11	5-53-191.....	4
2-53-901.....	2	3-53-1031.....	11	5-53-261.....	4
2-53-1051.....	2	3-53-1121.....	11	5-53-271.....	4
2-53-1151.....	2	3-53-1131.....	11	6-1-4641.....	4
2-53-1191.....	2	3-53-1181.....	9,10	6-1-5581.....	5
2-53-1321.....	2	3-53-1191.....	11	6-4-1981.....	4
2-53-1351.....	2	3-53-1301.....	9	6-4-1981-1.....	4
2-53-1441.....	9	3-53-1351.....	9,10	6-4-1981.....	4
3-3-1481KX.....	10	3-53-1361.....	9,10	6-4-1981-1.....	4
3-3-1501KX.....	10	3-53-1371.....	10	6-4-1981.....	4
3-3-1601KX.....	11	3-53-1391.....	11	6-4-1981-1.....	4
3-3-1701KX.....	11	3-53-1551.....	10	6-4-1981.....	4
3-3-1701KX.....	11	3-53-1781.....	2	6-4-1981-1.....	4
3-3-2041KX.....	11	3-53-1791.....	2,3	6-4-4601-1.....	5
3-3-2471KX.....	10	3-53-1801.....	2,3	6-4-7141.....	4
3-3-4781X.....	10	3-53-1811.....	2	6-4-7141-1.....	4
3-3-4871X.....	11	3-53-1821.....	2,3	6-4-7141.....	4
3-3-5411KX.....	11	3-53-1831.....	2,3	6-4-7141-1.....	4
3-3-5411X.....	10	3-53-1891.....	2	6-4-7481-1.....	4,5
3-3-5921X.....	10	3-53-1951.....	10,11	6-4-5071X.....	5
3-3-6061X.....	11	3-53-2011.....	11	6-28-347.....	4,5



6-28-407	4,5	140-4-11-1	7
6-53-201	4	140-4-1011-1	7
6-53-241	4	140-28-17	7
6-53-311	5	140-53-11	7
6-53-411	4	140-53-21	7
6-53-421	4	170-4-1271-1	7
6.3-4-161	5	170-28-17	7
6.3-4-161-1	5	250-4-21-1	7
6.3-4-161	5	250-28-17	7
6.3-4-161-1	5	250-53-11	7
6.3-4-821-1	5	210084-2X	3,4,6
6.3-28-17	5	210088-1X	9,10,11
6.3-53-21	4,5	210090-1X	2
6.5-1-1811	5	210121-1X	4,7
6.5-4-1891	5	210207-1X	11
6.5-4-1891-1	5	210367-1X	2
6.5-4-1891	5	210370-1X	9,10
6.5-4-1891-1	5	210391-1X	2,3,8
6.5-4-1891	5	210433-1X	11
6.5-4-1891-1	5	210866-1X	9,11
6.5-4-1891	5	210873-1X	2,3
6.5-4-1891-1	5	210881-1X	4,7
6.5-4-1891	8	211090-1X	2
6.5-4-3591-1	5	211589-1X	2
6.5-28-117	5	211735-2X	10
6.5-28-127	5,8	211793-1X	10,11
6.5-53-51	5,8	211848-1X	11
6.5-53-91	5	211872-1X	2
6.5-53-171	5	211963-1X	11
6.5-53-181	5	212028-1X	9,10,11
55-3-81X	11	212030-1X	10,11
55-4-11-1	6	212031-1X	11
55-53-51	11	212032-1X	9,10,11
55-53-101	6	212053-1X	2
70-3-21X	12	212134-1X	6
70-4-11-1	6	212135-1X	12
70-53-11	12	212142-1X	12
70-53-31	6	212144-1X	6
70-53-61	6	212145-1X	6
90-4-11-1	6	212261-1X	6
90-28-17	6	5003323	4,5,7,8
90-28-27	6	5003326	5,7
90-53-11	6	5003628	7
90-53-31	6	5007832	11
100-3-41X	12	211175X	9,10
100-4-931-1	6	211359X	2,10,11
100-28-17	6,12	211431X	2
100-28-27	12	211499X	10,11
100-53-21	12	212031X	6
100-53-31	6		





SPICER[®]

Drivetrain Products

Dana Holding Corporation
Spicer Service Parts
PO Box 321
Toledo, Ohio 43697-0321
1-800-SAY-DANA (729-3262)

www.spicerparts.com

Dana Holding Corporation
Spicer Service Parts - Canada
5095 South Service Road
Beamsville, Ontario LOR 1B0

Dana Holding Corporation
Spicer Service Parts - International
(419) 861-6325

J300P-11
10/08
Printed in U.S.A

© Dana Limited 2008.
All rights reserved.