



SPEC00001090

ILLUSTRATED PART LIST

Customer: **DENNIS EAGLE**
Axle Model: **S172 – S172D**
Axle P/N: **10084419 1078998**
10084420 1076505
10084260 1079039
10085146 1079523
10084421 1078999
10084422 1078819
10201709 1107770

Issue: **C**

The description, testing procedures, and specifications contained in this parts / service publication were current at time of writing. This manual will not be updated. If in doubt about any aspect of maintenance or servicing of the axle please contact the vehicle builder or our service department directly.

SPICER® products are subject to continuous development and we reserve the right to modify procedures and to make changes in specifications at any time without prior notice and without incurring in any obligation.

The recommendations of the vehicle manufacturer should be considered as the primary source of service information regarding this **SPICER®** product. This manual is intended to be used as a supplement to such information.

Any references to brand names in this publication are made simply as an example of the types of tools and materials recommended for use and, as such, should not be considered as an endorsement.

This manual is the property of **Commercial Vehicle Products – Europe**, a division of **Dana Holding Corporation**, and may not be copied or disseminated without prior agreement of **Commercial Vehicle Products– Europe**, a division of **Dana Holding Corporation**.

Commercial Vehicle Products – Europe, a division of **Dana Holding Corporation**, recommends following all manufacturers recommendations for the proper handling and disposal of lubricants and solvents. For further information please contact the lubricants and solvents supplier.

EVERY EFFORT HAS BEEN MADE TO ENSURE THE ACCURACY OF THE INFORMATION CONTAINED WITHIN THIS MANUAL.

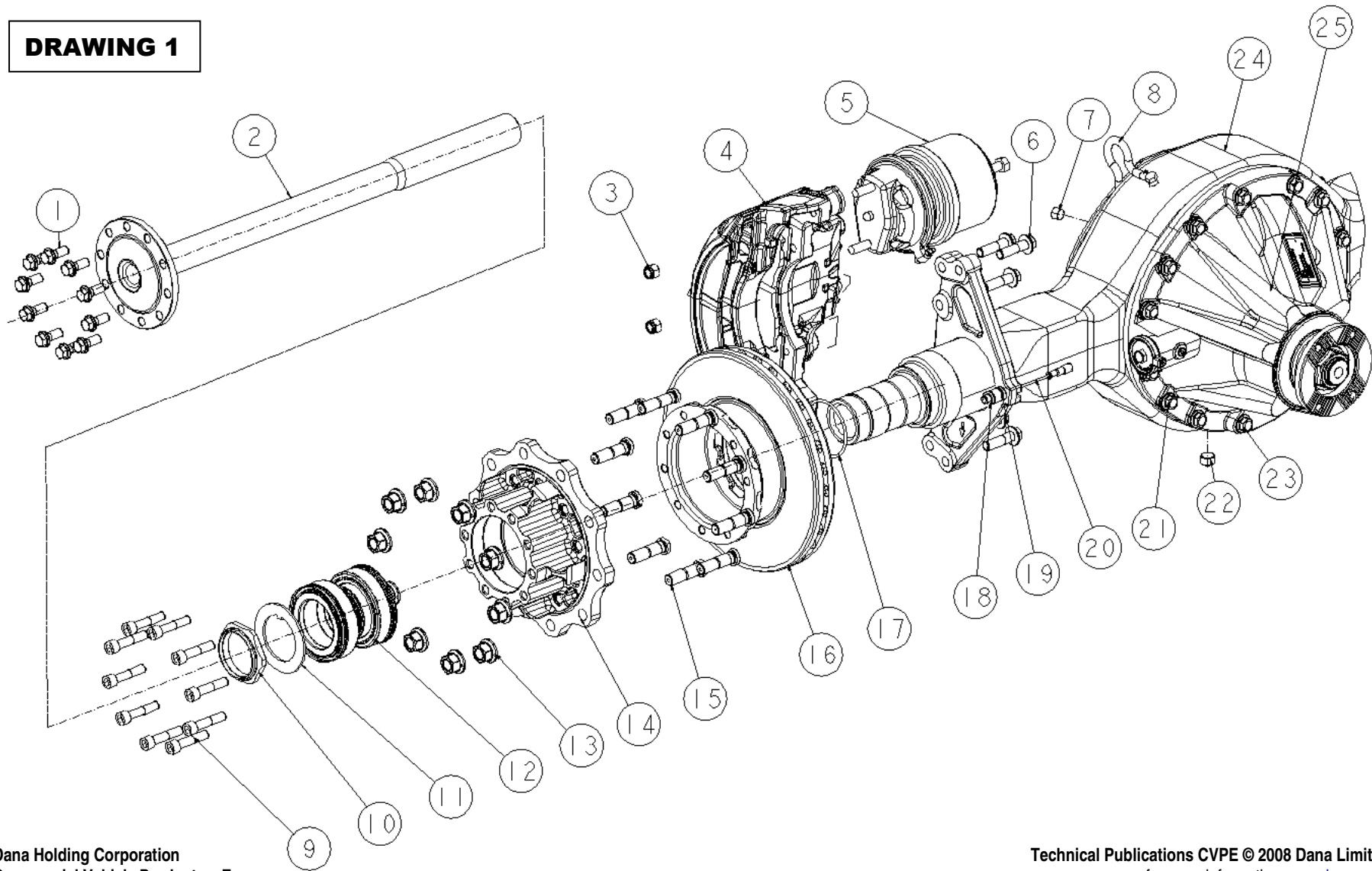
HOWEVER, COMMERCIAL VEHICLE PRODUCTS – EUROPE, A DIVISION OF DANA HOLDING CORPORATION, MAKES NO EXPRESSED OR IMPLIED WARRANTY OR REPRESENTATION BASED ON THE ENCLOSED INFORMATION.

Last Modification	Approved by	Date	Issue	Eng. Change
Released	A.U.	19/11/19	A	EWO68881
Item 13 was 833206	A.U.	11/06/20	B	EWO73924
Items 10201709 (Drive Axle) & 10105847 (Head Assy) added	P.S.	03/11/20	C	EWO79845



People Finding A Better Way

DRAWING 1



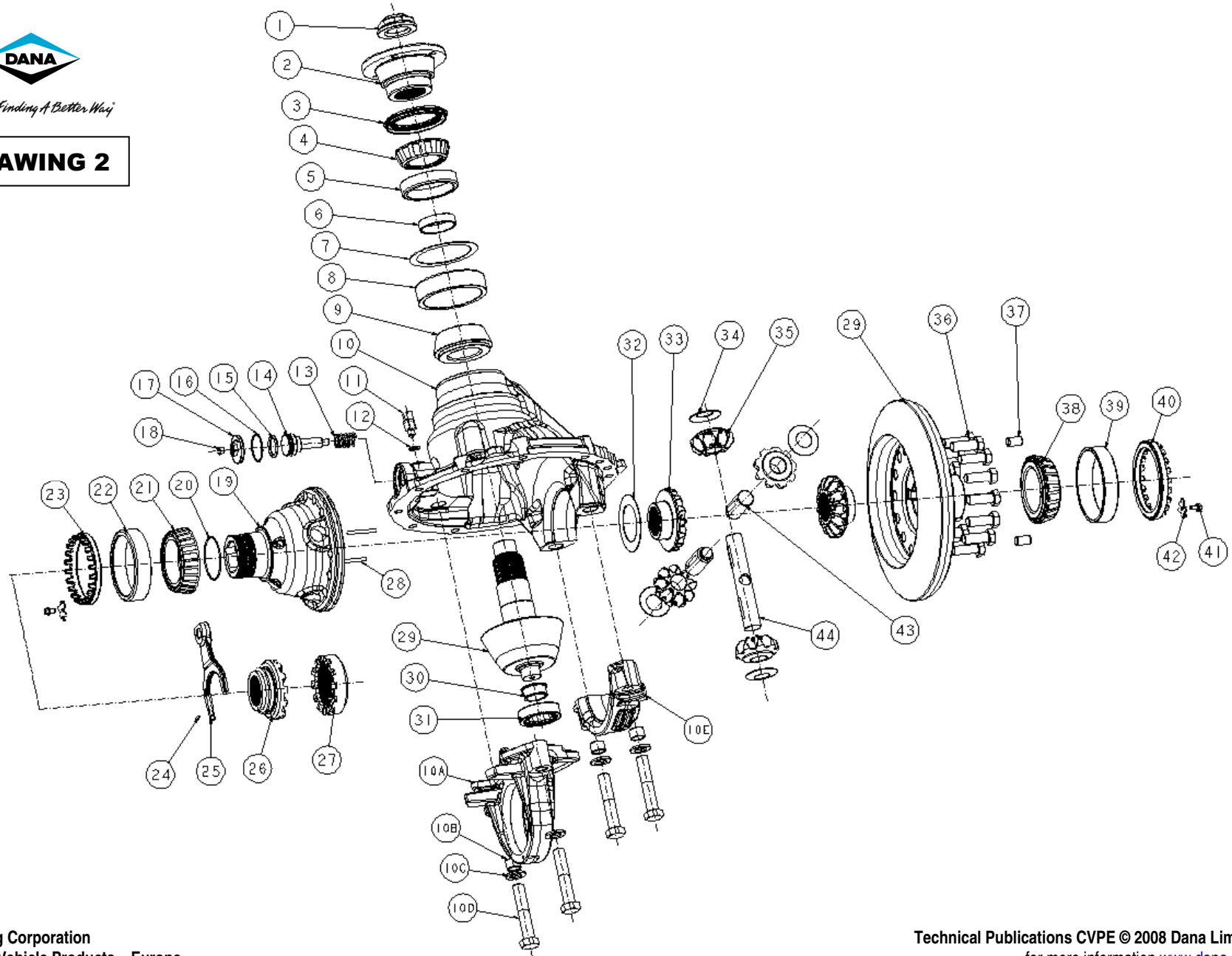
Dana Holding Corporation
Commercial Vehicle Products – Europe

Technical Publications CVPE © 2008 Dana Limited
for more information www.dana.com



People Finding A Better Way

DRAWING 2



Dana Holding Corporation
Commercial Vehicle Products – Europe

Technical Publications CVPE © 2008 Dana Limited
for more information www.dana.com

S172 – S172D Axle Part List (DRAWING1)

Item	Part Number							Description	Qty
	NARROW AIR SUSPENSION		WIDE AIR SUSPENSION						
	10084419 1078998	10084420 1076505	10084260 1079039	10085146 1079523	10084421 1078999	10084422 1078819	10201709 1107770		
1	10005528							Axle shaft Bolt	20
2	10000945		10085129					Axle shaft – LH	1
	10085359	10085383	10085136			10085128		Axle shaft – RH	1
3	10031188							Air Chamber Nut	4
4	828133		828164		828133		828164	Air Disc Brake assy – LH	1
	828134		828165		828134		828165	Air Disc Brake assy – RH	1
5	828135		828122		828135		828122	Air Chamber – LH	1
	828135		828122		828135		828122	Air Chamber – RH	1
6	830464							Brake fixing Bolt	12
7	54254							Magnetic Plug	1
8	828236							Breather Kit	1
9	830465							Hub-Rotor Bolt	20
10	10005280							Spindle Nut	2
11	10005279							Spindle Washer	2
12	10020774							Bearing ¹	2
13	N/A							Wheel Nut	20
14	10005144							Wheel Hub ¹	2
15	10019427							Wheel Bolt ¹	20
16	828132							Rotor	2
17	10010490							"O" Ring ¹	2
18	830168							ABS Bushing	2
19	603338							ABS Bracket	2
20	833207							ABS Sensor	2
21	135017 & 130877							Head fixing Bolt & Washer	4
22	54254							Magnetic Plug	1
23	135016 & 130877							Head fixing Bolt & Washer	10
24	10037070		10037071					Housing	1
25	10084701	10084702	10084700	10084701	10084701	10084702	10105847	Head	1

NOTES:

¹ Available as a Service Kit: 17777/494

S172 – S172D Head Part List (DRAWING2)

Item	Part Number				Description	Qty
	10084700 RATIO 6,14	10084701 RATIO 6,83	10084702 RATIO 6,83	10105847 RATIO 6,14		
1		131095			Pinion Nut	1
2		832052			Coupling Flange	1
3		134583			Seal Oil (Pinion)	1
4		10048108			Bearing Cone (Pinion Outer)	1
5		10037017			Bearing Cup (Pinion Outer)	1
6		10032062			Spacer Bearing (Pinion)	1
7		10023041			Shim	1
8		10021816			Bearing Cup (Pinion Inner)	1
9		10021815			Bearing Cone (Pinion Inner)	1
10	10046553		10052103		Carrier Sub-Assy (Including)	4
10A		10044434			Bearing Cap (Diff Case)	1
10B		1034492			Bushing	4
10C		134491			Washer	4
10D		134490			Screw	4
10E		10044391			Bearing Cap (Gear Side)	1
11	129035		N/A		Switch	1
12	129034		N/A		Washer Nylon	1
13	131102		N/A		Spring Compression	1
14	10021206		N/A		Shaft	1
15	210180		N/A		"O"-Ring	1
16	131665		N/A		"O"-Ring (Diff Lock Cap)	1
17	10019664		N/A		Cap Diff Lock	1
18	129946		N/A		Screw - Set, shipping	1
19	10048962		10048964		Diff Case	1
20	129433		N/A		Snap Ring	1
21		10050136			Bearing Cone	1
22		10050135			Bearing Cup	1
23		10029756			Bearing Adjuster	1
24	10149406		N/A		Bolt	1
25	10139207		N/A		Shift Fork	1
26	10038900		N/A		Curvic Clutch	1
27	10035340		N/A		Curvic Clutch	2
28		10021349			Pin	2
29	10036732	10082713	10082713	10036732	Gear Set	1

Item	Part Number				Description	Qty
	10084700 RATIO 6,14	10084701 RATIO 6,83	10084702 RATIO 6,83	10105847 RATIO 6,14		
30		10052208			Bearing Cylindrical Roller - Inner	1
31		10052207			Bearing Cylindrical Roller - Outer	1
32		83726			Washer - Side Gear	1
33		10020053			Gear Diff, Side Gear	2
34		10019998			Washer - Thrust	4
35		10020054			Gear Diff, Pinion Mate	4
36		10000182			Screw - Drive Gear	14
37		132821			Pin	2
38		10050133			Bearing - Cone	1
39		10050132			Bearing - Cup	1
40		10052101			Bearing Adjuster	1
41		10034321			Screw - Flange Head	2
42		10046797			Retainer - Bearing Adjuster Ring	2
43		10021339			Differential Shaft	2
44		10019723			Differential Shaft	1

For any maintenance / repair activity, please consult following Service Manuals:

613508 Wheel Ends

613509 Drive Head

613505 General Information

613511 Lubrication



Dana Holding Corporation

Commercial Vehicle Products – Europe
Dana Automoción S.A.

Polígono Industrial de Landaben, Calle E
31012 Pamplona / Spain

TEL (+34-948) 289 100 FAX (+34-948) 188 164

APPLICATION POLICY

Capability ratings, features and specifications vary depending upon the model type of service. Applications approvals must be obtained from Commercial Vehicle Products - Europe. We reserve the right to change or modify our product specifications, configurations, or dimensions at any time without notice.

People Finding A Better Way[®]