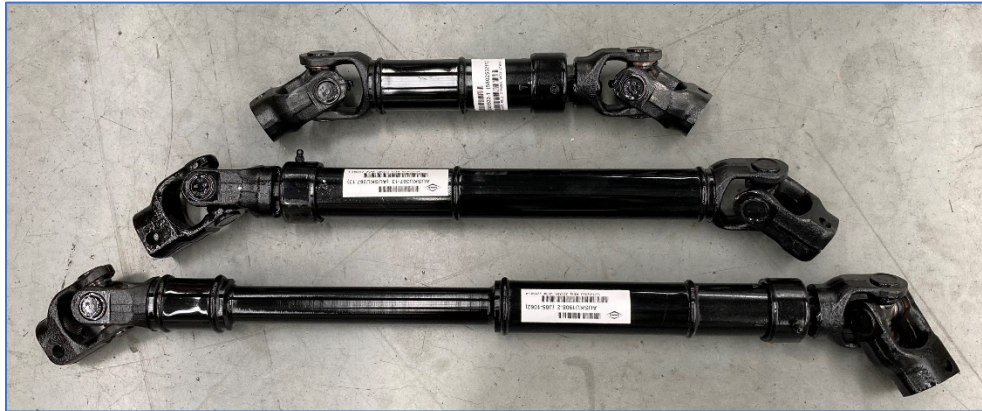


## ILLUSTRATED PARTS LIST STEERING SHAFTS

DATE: 22/10/2021



For: 1000 Series



The only parts that should be replaced on a steering shaft is the end yokes & u-joints, anything else you need to replace the complete steering shaft.

Due to the vast variety of steering shaft configurations, the correct part number for a steering shaft needs to be obtained from the OEM dealer (Chassis number).

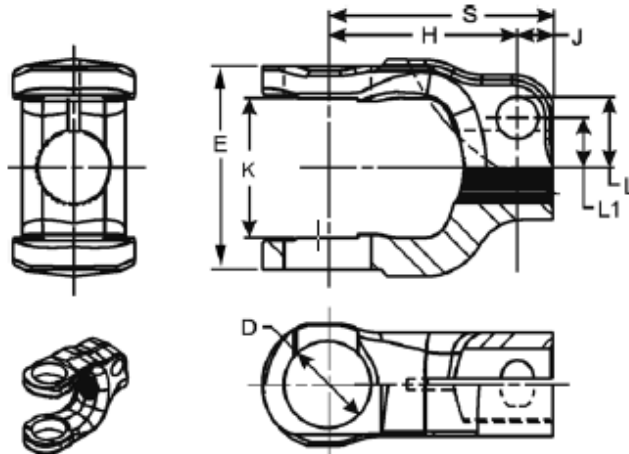
### UNIVERSAL JOINTS

Item	Description	Part Number	Notes
	U/J kit NON-greaseable	212213X	Fitted to new steering shafts as standard
	U/J kit Greaseable	5-103X	Aftermarket



## END YOKES

The following 2 pages are also available in the **J300P-4**



**STEERING SHAFT SERRATED HOLE  
WITH SNAP DESIGN RING**

SERRATED HOLE		BOLT HOLE DIAMETER	H	J	L	L1	S	END YOKE PART#	NOTES	
MAJOR DIAMETER	MINOR DIAMETER (NOMINAL)		CENTRELINE OF BOLT HOLE TO END OF HUB	CENTRELINE OF BOLT HOLE TO END OF HUB	CENTRELINE OF SPLINE TO TOP OF BOLT HOLE	CENTRELINE OF SPLINE TO CENTRE OF BOLT HOLE	CENTRELINE OF U-JOINT TO END OF HUB			
<b>1000ST SERIES</b>		K=1.500	D=.938							USE KIT 5.103X
<b>.735-16 BASED ON 36 SPLINE</b>										
.735	.696	.451	2.120	.500	-	.525	2.620	10-4-431SX		
<b>.739-21 BASED ON 36 SPLINE</b>										
.739	.696	.467	1.780	.470	.748	-	2.250	10-4-871SX		
<b>.739-26 BASED ON 36 SPLINE</b>										
.739	.696	.467	1.780	.470	.726	.525	2.250	10-4-611SX		
<b>.739-30 BASED ON 36 SPLINE</b>										
.739	.696	.406	2.030	.470	-	.470	2.500	10-4-631SX		
.739	.696	.406	2.030	.470	-	.470	2.500	10-4-731SX		
<b>.811-30 BASED ON 36 SPLINE</b>										
.811	.764	.405	2.030	.470	.710	-	2.500	10-4-501SX		
.811	.764	.405	2.030	.470	.710	-	2.500	10-4-941SX	SPOT FACE AROUND BOLT HOLE	
.811	.764	.405	2.120	.500	.710	-	2.620	10-4-901SX		
.811	.764	.406	2.030	.470	.673	-	2.700	10-4-491SX		
.811	.764	.406	2.030	.470	.770	-	2.500	10-4-821SX		
.811	.764	.467	2.030	.470	.770	-	2.500	10-4-1001SX		
.811	.764	.470	2.030	.380	.770	-	2.410	10-4-1181SX●		
<b>.813-18 BASED ON 36 SPLINE</b>										
.813	.764	.451	2.030	.380	.764	-	2.410	10-4-911SX	YOKE HAS FLAT SPLINE BORE	
.813	.764	.451	2.030	.470	.759	-	2.500	10-4-841SX	YOKE HAS FLAT SPLINE BORE	
.813	.764	.467	1.780	.380	.761	-	2.160	10-4-621SX	YOKE HAS A FLAT SPLINE BORE	
.813	.764	.467	1.780	.470	.762	-	2.250	10-4-1281SX	YOKE HAS FLAT SPLINE BORE	
.813	.764	.467	2.330	.370	.761	-	2.700	10-4-551SX	YOKE HAS FLAT SPLINE BORE	
<b>.870-14 BASED ON 36 SPLINE</b>										
.870	.819	.451	2.031	.470	.781	-	2.500	10-4-1061SX	YOKE HAS FLAT SPLINE BORE	



SERRATED HOLE		BOLT HOLE DIAMETER	H	J	L	L1	S	END YOKE PART#	NOTES
MAJOR DIAMETER	MINOR DIAMETER (NOMINAL)		CENTRELINE OF BOLE HOLE TO END OF HUB	CENTRELINE OF BOLT HOLE TO END OF HUB	CENTRELINE OF SPLINE TO TOP OF BOLT HOLE	CENTRELINE OF SPLINE TO CENTRE OF BOLT HOLE	CENTRELINE OF U-JOINT TO END OF HUB		
<b>1000ST SERIES CONT'D</b>		<b>K=1.500 D=.938</b>		<b>USE KIT 5.103X</b>					
<b>.870-30 BASED ON 36 SPLINE</b>									
.870	.819	.403	2.031	.469	.748	-	2.500	10-4-601SX	
.870	.819	.405	2.031	.469	.748	-	2.500	10-4-951SX	SPOT FACE AROUND BOLT HOLE
.870	.819	.451	2.031	.530	.789	-	2.280	10-4-1241SX●	
.870	.819	.467	2.031	.469	.815	-	2.500	10-4-741SX	
.870	.819	.467	2.031	.470	.780	-	2.500	10-4-991SX●	
.870	.819	.467	2.031	.470	.787	-	2.500	10-4-461SX	
<b>.990-14 BASED ON 36 SPLINE</b>									
.990	.947	.451	2.030	.470	.852	-	2.500	10-4-851SX	YOKE HAS FLAT IN SPLINE BORE
<b>.994-30 BASED ON 36 SPLINE</b>									
.994	.947	.405	1.750	.630	.802	-	2.380	10-4-391SX	
.994	.947	.405	1.780	.470	.802	-	2.250	10-4-121SX	
.994	.947	.405	1.780	.470	.802	-	2.250	10-4-561SX	
.994	.947	.405	2.030	.470	.802	-	2.500	10-4-371SX	
.994	.947	.405	2.030	.470	.802	-	2.500	10-4-961SX	
.994	.947	.451	2.030	.470	.863	-	2.500	10-4-971SX	
.994	.947	.451	2.030	.470	.863	-	2.500	10-4-451SX	
.994	.947	.451	4.000	.470	.863	-	4.470	10-4-1201SX	
.994	.947	.467	2.030	.470	.835	-	2.500	10-4-731SX	
<b>1.006-34 BASED ON 48 SPLINE</b>									
1.006	.960	.468	2.030	.470	-	.630	2.500	10-4-661SX	
<b>1.014-66 BASED ON 79 SPLINE</b>									
1.014	-	.406	1.970	.380	.835	-	2.340	10-4-1131SX	
1.014	.975	.438	1.970	.370	.829	-	2.340	10-4-1441M	

● Part has been discontinued    ■ Part is available until supply is exhausted    ▲ Not sold separately

Dana steering shaft yoke, pinch bolt kit: **211271X**

If you have any questions, please call Dana Australia on **1300 003 262** or e-mail [aus.spicer@dana.com](mailto:aus.spicer@dana.com) for more information.