

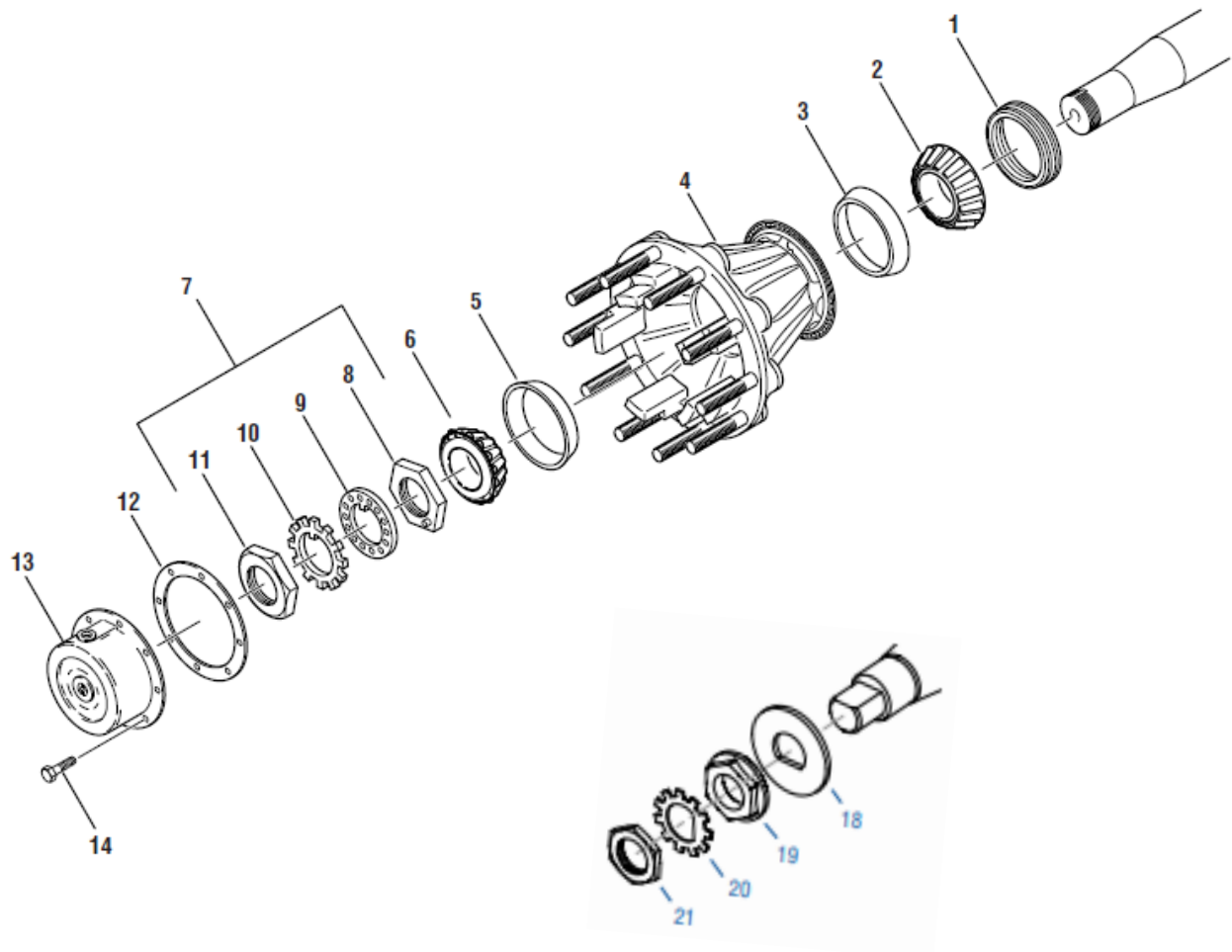
## ILLUSTRATED PARTS LIST HUBS

DATE: 14/04/2021

For Axle Models: Drum Brake Steer E & D series  
Drum Brake Drive

### Hub for Steer

Note: See IPL DA0321001 for Disc Brake Hubs





## Hub for Steer

### E series axle

Item	Description	Qty Per Axle	Part Number	Notes
1	Seal	2	CR35066	
2/3	Inner Bearing Alu and Iron Hub	2	HM212049 / HM212011	SET413 Not sold by Dana
4	Hub Assy Alu 285PCD	(2)	10045356	
4	Hub Assy Iron 285PCD	(2)	10037793	
4	Hub Assy Iron 335PCD	(2)	10038072	
5/6	Outer Bearing Alu Hub	2	3782 / 3720	SET406 Not sold by Dana
5/6	Outer Bearing Iron Hub	2	45280 / 45220	SET409 Not sold by Dana
7	Spindle nut and locking system	1	AUF2477	Reference only
8	Inner jam nut	2	815622	
9	Spindle washer	2	815623	
10	Lock ring washer	2	817134	
11	Outer jam nut	2	815638	
12	Hub cap gasket	(2)	NSS	Included in the hub cap kit
13	Hub cap kit Iron hub	2	CR1644	
13	Hub cap kit Alu hub	2	CR1612	
14	Hub cap bolt	(12)	NSS	Included in the hub cap kit
NS	Brake Drum 285PCD	2	10005331	Cast Iron
NS	Hub & Drum Assy Iron 285PCD	(2)	10038068	
NS	Brake Drum 335PCD	2	10030884	Cast Iron
NS	Hub & Drum Assy Iron 335PCD	(2)	10038076	



## Hub for Steer

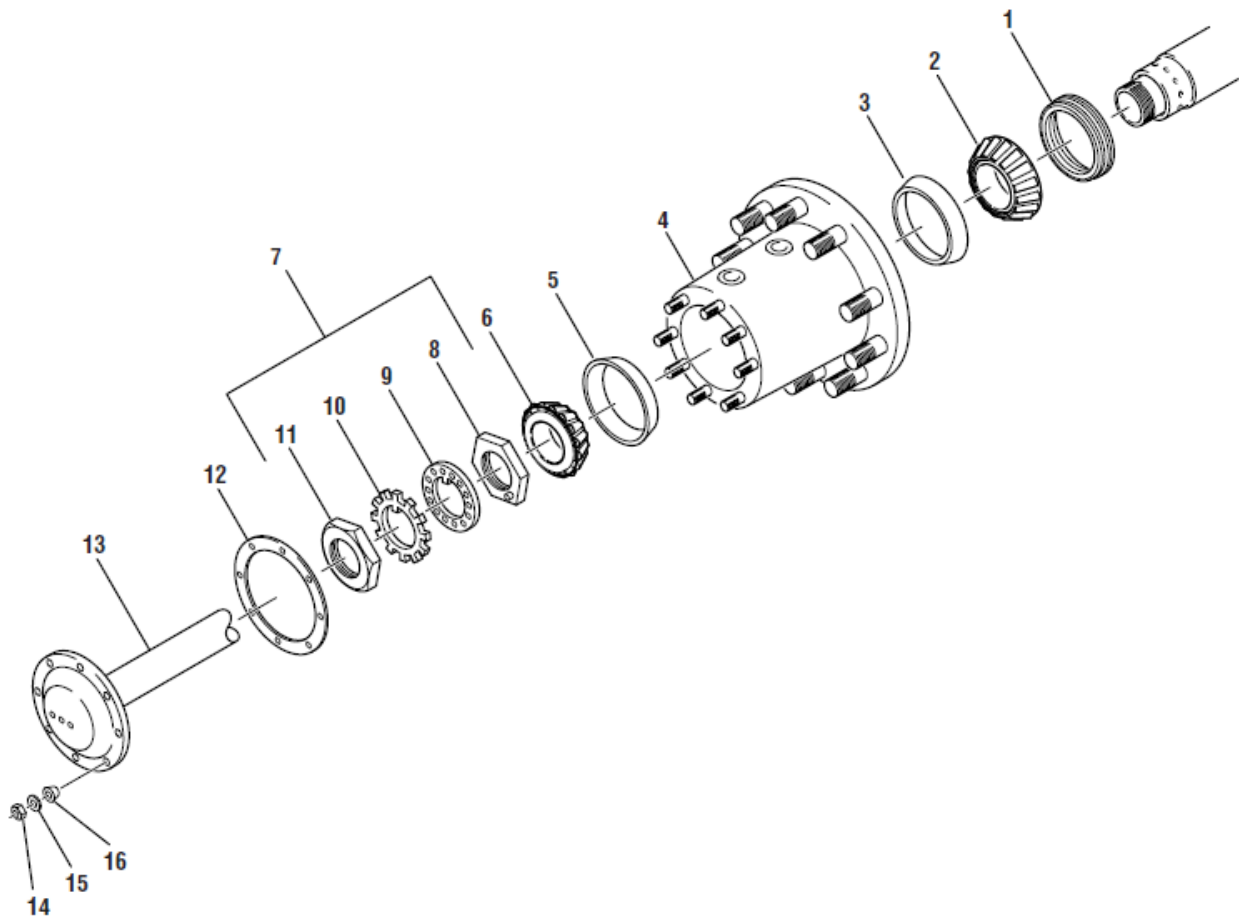
### D series axle

Item	Description	Qty Per Axle	Part Number	Notes
1	Seal	2	43761	CR4761
2/3	Inner Bearing	2	6461A / 6420	Set423 Not sold by Dana
4	Hub Assy Iron 285PCD	2	10038056	:
4	Hub Assy Iron 335PCD	(2)	10038060	
5/6	Outer Bearing	2	555S / 552A	Set424 Not sold by Dana
12	Hub cap gasket	(2)	NSS	Included in the hub cap kit
13	Hub cap kit	2	WC-01-016	CR1613
14	Hub cap bolt	(12)	NSS	Included in the hub cap kit
18	Washer	2	220HN105	
19	Inner jam nut	2	976921	
20	Lock ring washer	2	HN114	
21	Outer jam nut	2	M10HN107	
18/19 20/21	Spindle nut Kit	1	AUF2478	Reference only
NS	Brake Drum 285PCD	2	10037991	Cast Iron
NS	Hub & Drum Assy Iron 285PCD	(2)	10037981	
NS	Brake Drum 335PCD	2	10030882	Cast Iron
NS	Hub & Drum Assy Iron 335PCD	(2)	10038064	



## Hub for Drive

---





## Hub for Drive

Item	Description		Qty Per Axle	Part Number	Notes	
1	Seal		2	CR47697		
2/3	Inner Bearing		2	594A / 592A	SET403 Not sold by Dana	
4	Hub Assy	Alu 285PCD	2	10038096		
4	Hub Assy	Iron 285PCD	(2)	10038080		
4	Hub Assy	Iron 335PCD	(2)	10038088		
5/6	Outer Bearing		2	580 / 572	SET401 Not sold by Dana	
7	Spindle nut and locking system		2	AUR1894K		
8	Inner jam nut		2	119882		
9	Spindle washer		2	129132		
10	Lock ring		2	119883		
11	Outer jam nut		2	119881		
12	RTV gasket		-	Use REINZOSIL 70-31414-20	See Bulletin DA0221002	
13	Axle shaft	DSH40	Short	1	127437	Std. and Diff Lock
			Long	1	128435	
		D170/190	Short	1	131246	
			Long	1	131245	
14	Nut		16	90208	Torqued to 170-190 ft/lb.	
15	Spring Washer		16	90422		
16	Tapered Dowel (solid)		16	132993	Not used in 40'000lbs axles	
NS	Wheel Nut M22		(20)	WC-99-158	Normally supplied by the OEM	
NS	Brake Drum 285PCD		2	53-123537-002	X30	
NS	Brake Drum 285PCD		(2)	10009830	Cast Iron	
NS	Brake Drum 335PCD		(2)	10030880	Cast Iron	
NS	Hub & Drum Assy	Iron 285PCD	(2)	10038084		
NS	Hub & Drum Assy	Iron 335PCD	(2)	10038092		

If you have any questions, please call Dana Australia on **1300 003 262** or e-mail [aus.spicer@dana.com](mailto:aus.spicer@dana.com) for more information.