



ILLUSTRATED PARTS LIST DRIVE SHAFT

DATE: 20/04/2022

For Drive Shaft Models: **COMPACT** (Which is **SuperDuty** in Kenworth Trucks)

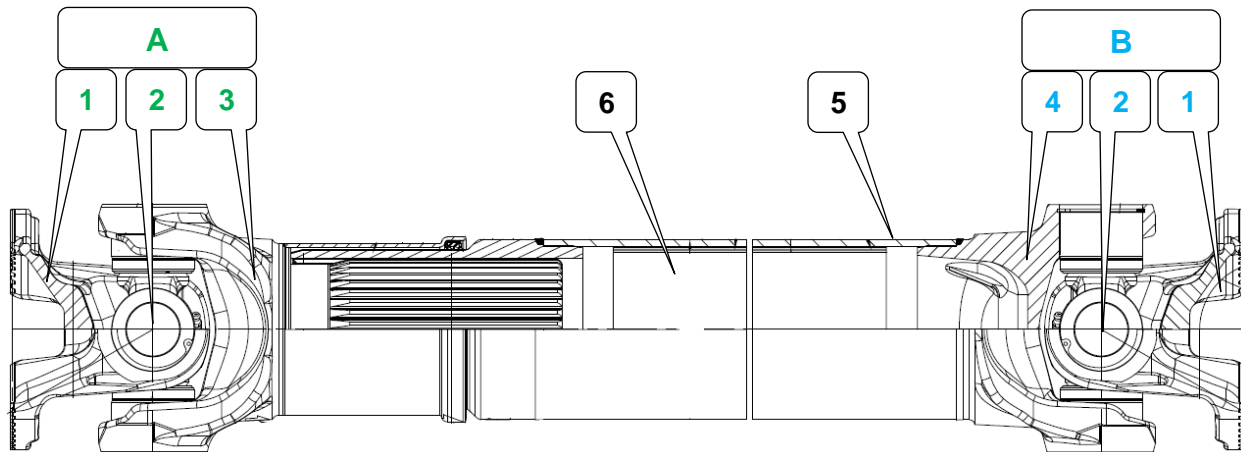
Compact2060 (SD300)



Compact2065 (SD350)



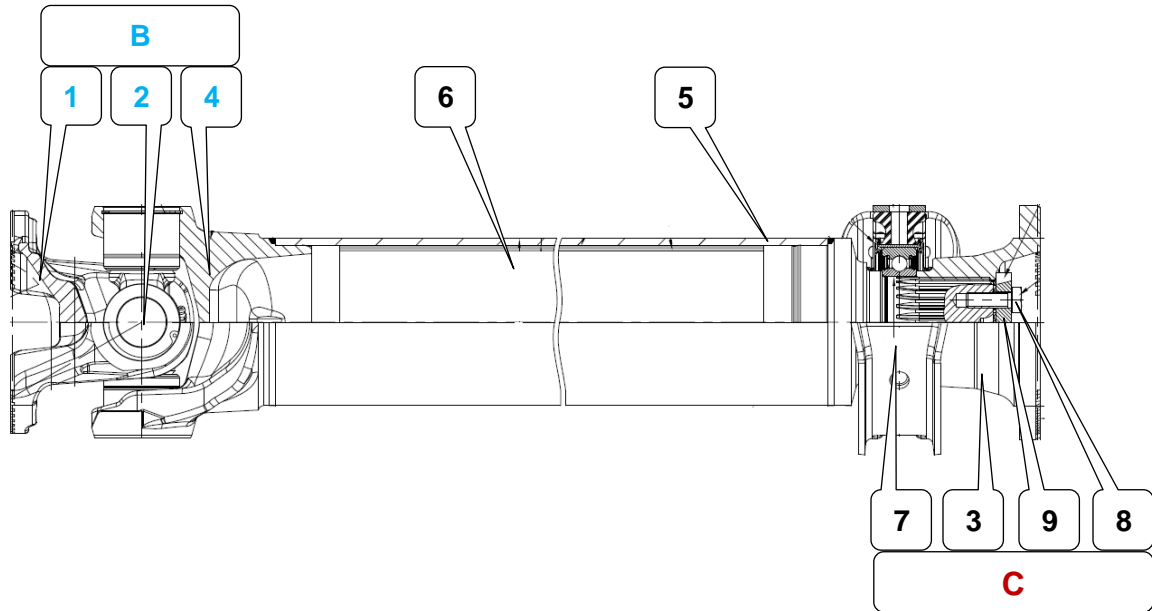
Main Shaft



Item	Description	Qty Per Shaft	Part Number		Notes
			2060 / SD300	2065 / SD350	
A	Slip Joint Assy	1	10034543AM	10037970	SF
B	Tight Joint Assy	1	10034546AM	10037867	SF
A	Slip Joint Assy	1	10052572AM	10109038	RL
B	Tight Joint Assy	1	10052573AM	10109041	RL
1	Flange Yoke	2	2 687 60 23 00 510	2 687 65 20 00 510	
2	UJ Kit * C+	2	2102896	2102906	SF
2	UJ Kit ** C+	2	2104221	2105482	RL
3	Yoke Shaft	1	10034540	10038106	
4	Tube Yoke	1	10034544	10037503	
5	Tube	AR	10026369	10028071	
6	Deadener	AR	5007410-2	5007410-2	

Note: * SF Service Free (non-greaseable)
 **RL Re-Lube (greaseable)
 Use Bulletin **DA1220007** for an identification aid.

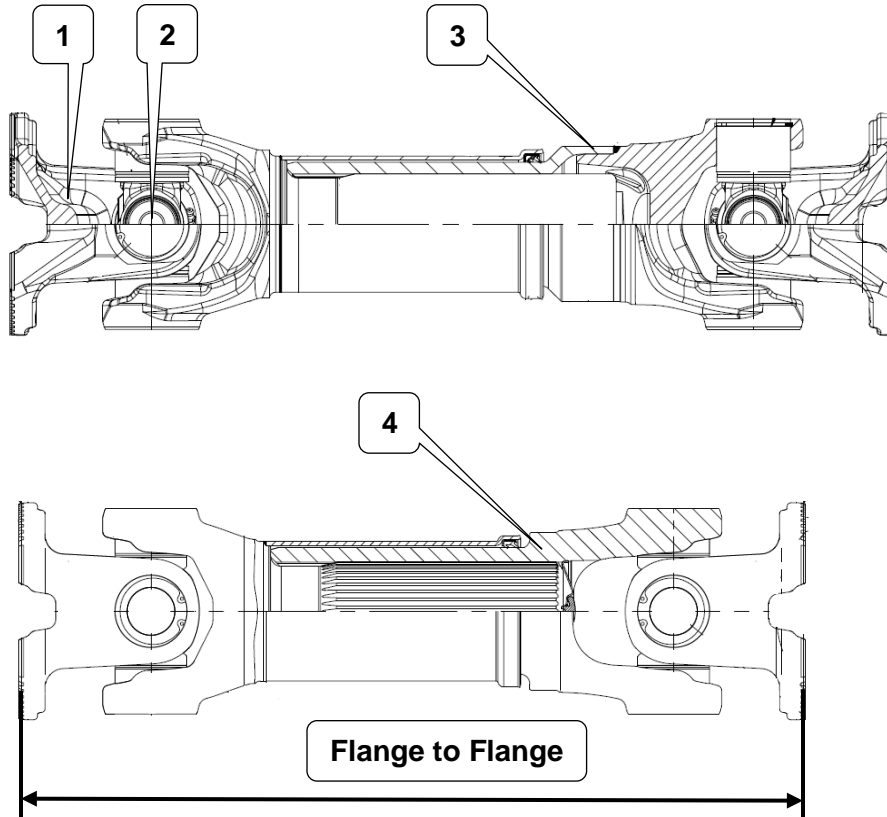
C/B Shaft



Item	Description	Qty Per Shaft	Part Number		Notes
			2060 / SD300	2065 / SD350	
B	Tight Joint Assy	1	10034543AM	10037867	SF
B	Tight Joint Assy	1	10034546AM	10109038	RL
C	Midship Assy	1	10135298	10135296	
1	Flange Yoke	1	2687602300510	2687652000510	
2	UJ Kit * C+	1	2102896	2102906	SF
2	UJ Kit ** C+	1	2104221	2105482	RL
3	Midship Flange	1	2113705200506	2113705200506	
4	Tube Yoke	1	10034544	10037503	
5	Tube	AR	10026369	10028071	
6	Deadener	AR	5007410-2	5007410-2	
7	Center Bearing Assy	1	6613700100360	6613700100360	
8	Bolt***	2	1000008002269	1000008002269	137Nm
9	Washer	1	1000008206405	1000008206405	

Note: * SF Service Free (non-greaseable)
 **RL Re-Lube (greaseable)
 *** When removing these bolts, replace it with new bolts!

Inter Axle Shaft

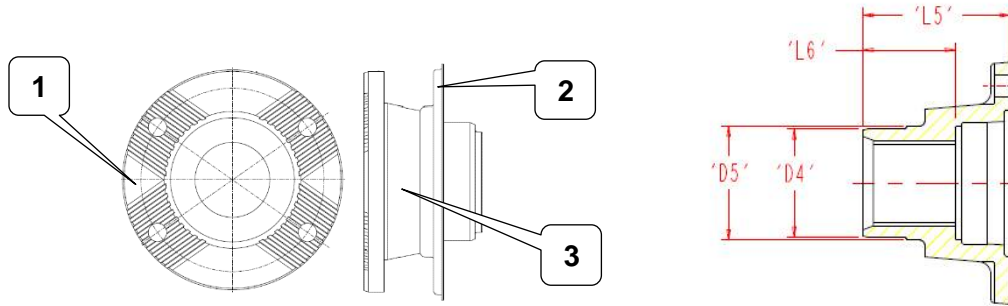


Item	Description	Qty Per Shaft	Part Number			Notes
			2055	2060 / SD300	2065 / SD350	
1	Flange Yoke	2	2687552700550	2687602300510	2687652000510	
2	UJ Kit * C+	2	2081137	2102896	2102906	SF
2	UJ Kit ** C+	2	2104108	2104221	2105482	RL
3	Yoke Shaft / Sleeve / Tube Yoke Assy	1	NSS	NSS	NSS	Welded
4	Yoke Shaft / Sleeve Yoke Assy	1	NSS	NSS	NSS	One piece
All	Complete Assemblies		Contact Dana with the "Flange to Flange" dimension.			

Note: * **SF** Service Free (non-greaseable)
 ****RL** Re-Lube (greaseable)

Axle Flange

For Input Flange for Dana Drive Axles D170 , D190 , D590



Item	Description	Qty Per Assy	Part Number	D4	D5	L5	L6
1	Flange	1	832053 (131710)	97.00	98.00	93.50	68.00
2	Slinger	1	5008437 (131214)				
3	Flange and Slinger Assy	1	131711				

If you have any questions, please call Dana Australia on **1300 003 262** or e-mail aus.spicer@dana.com for more information.