

## DRIVE SHAFT ILLUSTRATED PARTS LIST

DATE: 08/04/2021

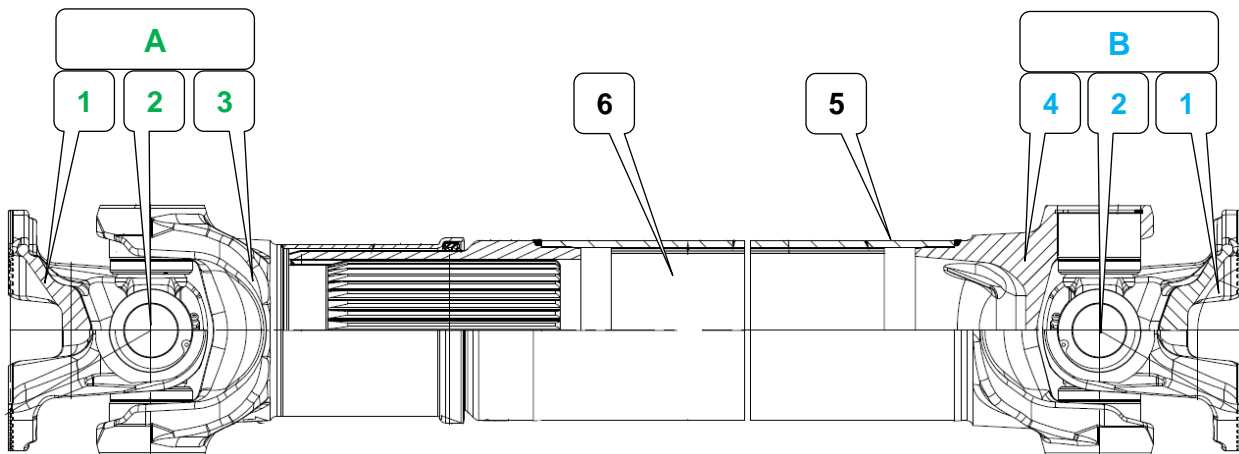
**For Drive Shaft Models: COMPACT which is SD in the Kenworth Trucks**

Compact2060 is SD300

Compact2065 is SD350

NOTE: Use Bulletin DA1220007 for an identification aid.

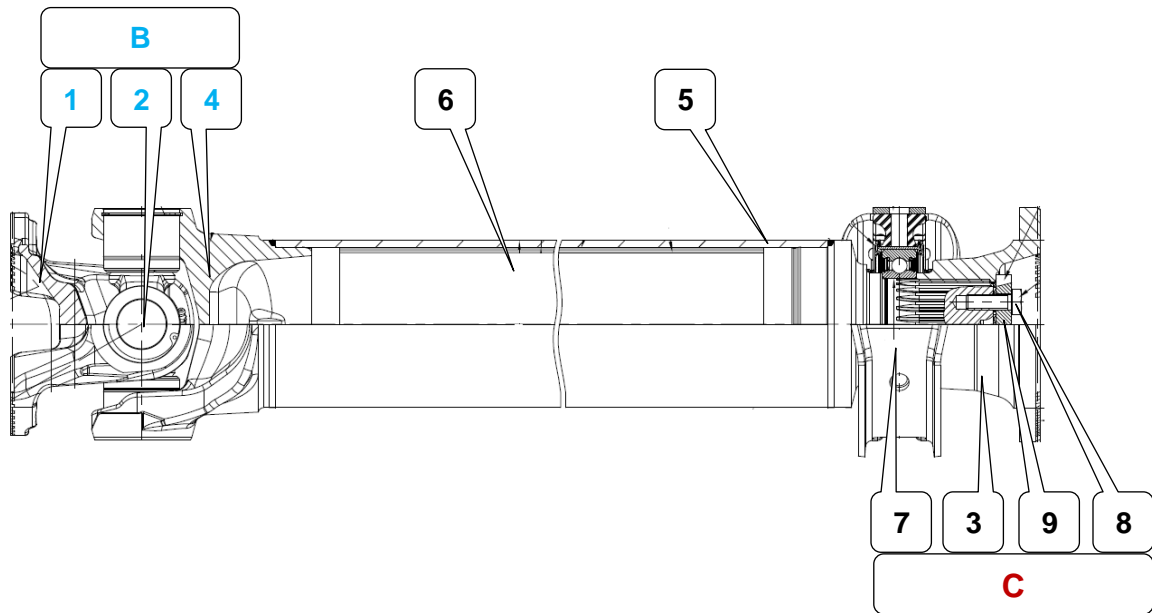
### Main Shaft



Item	Description	Qty Per Shaft	Part Number		Notes
			2060 / 300	2065 / 350	
A	Slip Joint Assy	1	10034543	10037970	SF
B	Tight Joint Assy	1	10034546	10037867	SF
A	Slip Joint Assy	1	10052572	10150507	RL
B	Tight Joint Assy	1	10052573	10109041	RL
1	Flange Yoke	2	2 687 60 23 00 510	2 687 65 20 00 510	
2	UJ Kit * C+	2	2102896	2102906	SF
2	UJ Kit ** C+	2	2104221	2105482	RL
3	Yoke Shaft	1	NSS	NSS	
4	Tube Yoke	1	NSS	NSS	
5	Tube	AR	10026369	10028071	
6	Deadener	AR	5007410-2	5007410-2	

Note: \*SF Service Free (non-greaseable)  
 \*\*RL Re-Lube (greaseable)

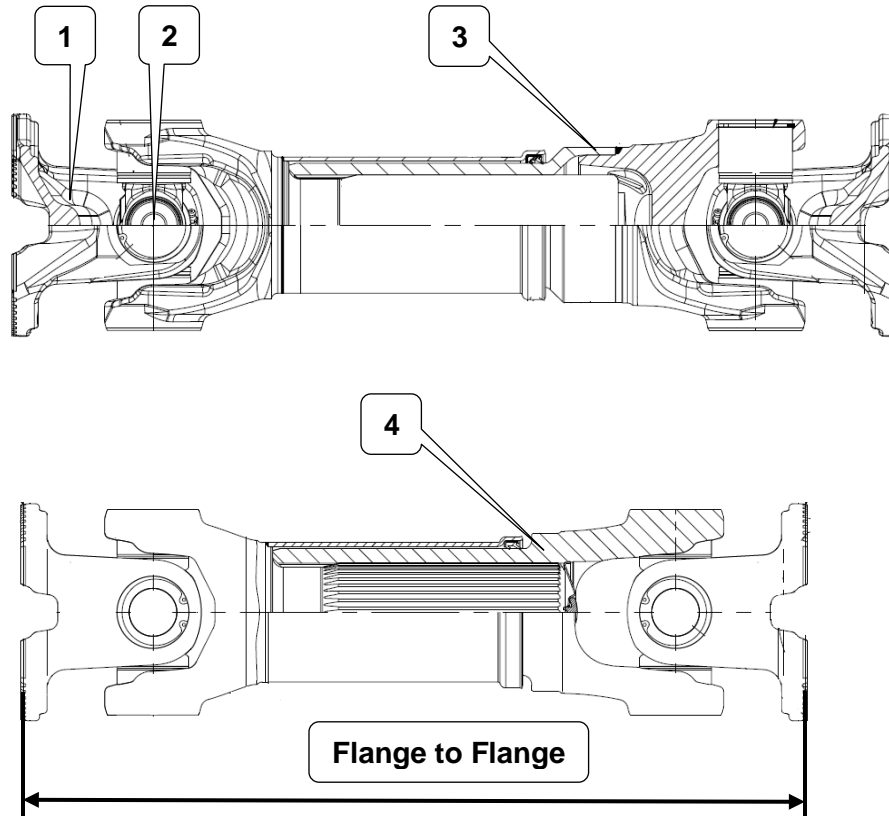
### C/B Shaft



Item	Description	Qty Per Shaft	Part Number		Notes
			2060 / 300	2065 / 350	
B	Tight Joint Assy	1	10034546	10037867	SF
B	Tight Joint Assy	1	10034546	10037867	RL
C	Midship Assy	1	10135298	10135296	
1	Flange Yoke	1	2687602300510	2687652000510	
2	UJ Kit * C+	1	2102896	2102906	SF
2	UJ Kit ** C+	1	2104221	2105482	RL
3	Midship Flange	1	2113705200506	2113705200506	
4	Tube Yoke	1	NSS	NSS	
5	Tube	AR	10026369	10028071	
6	Deadener	AR	5007410-2	5007410-2	
7	Center Bearing Assy	1	6613700100360	6613700100360	
8	Bolt***	2	1000008002269	1000008002269	137Nm
9	Washer	1	1000008206405	1000008206405	

**Note:** \*SF Service Free (non-greaseable)  
 \*\*RL Re-lube (greaseable)  
 \*\*\* When removing these bolts, replace it with new bolts!

## Inter Axle Shaft

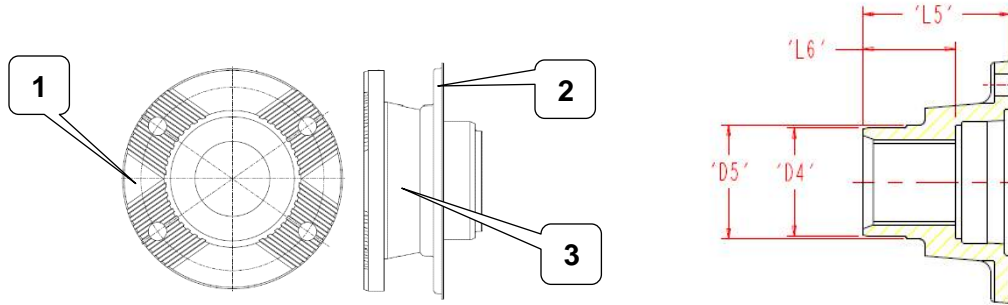


Item	Description	Qty Per Shaft	Part Number			Notes
			2055	2060 / 300	2065 / 350	
1	Flange Yoke	2	2687552700550	2687602300510	2687652000510	
2	UJ Kit * C+	2	2081137	2102896	2102906	SF
2	UJ Kit ** C+	2	2104108	2104221	2105482	RL
3	Yoke Shaft / Sleeve / Tube Yoke Assy	1	NSS	NSS	NSS	Welded
4	Yoke Shaft / Sleeve Yoke Assy	1	NSS	NSS	NSS	One piece
All	Complete Assemblies		Contact Dana with the "Flange to Flange" dimension.			

**Note:** \*SF Service Free (non-greaseable)  
 \*\*RL Re-lube (greaseable)

### Axle Flange

For Input Flange for Dana Axles D170 , D190 , D590



Item	Description	Qty Per Assy	Part Number	D4	D5	L5	L6
1	Flange	1	832053 (131710)	97.00	98.00	93.50	68.00
2	Slinger	1	5008437 (131214)				
3	Flange and Slinger Assy	1	131711				

If you have any questions, please call Dana Australia on **1300 003 262** or e-mail [aus.spicer@dana.com](mailto:aus.spicer@dana.com) for more information.