



Illustrated Parts List

AXIP0085a

January 1994

Single Reduction, Dual Range, & Double Reduction

Addendum 461, 462, 463, 521, 581 46,000 - 65,000 lbs

Single Reduction w/Wheel Differential Lock - Forward Axle

DD461-P•DD521-P•DD581-P----- 2-6
 Differential Lockout Assembly ----- 7
 Pinion Bearing Spacers ----- 7

Single Reduction w/Wheel Differential Lock - Rear Axle

RD461•RD521•RD581 ----- 8-9

Shift System

Piston Air Shift Unit ----- 10-11

Appendix

Carrier Exchange Assemblies ----- 12
 Drive Pinion and Gear Set ----- 12
 Axle Shaft Chart ----- 13

The following models are represented in this publication

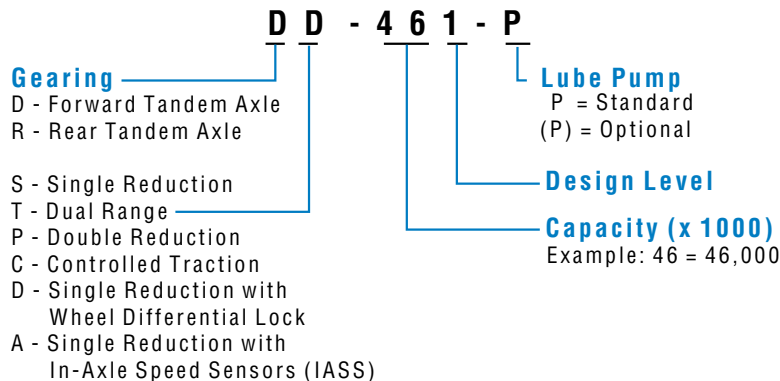
Single Reduction Models w/Wheel Differential Lock

| Forward Axle | Rear Axle | Axle Capacity | Gear Size |
|--------------|-----------|---------------|-----------|
| DD-461-P | RD-461 | 46,000 lbs | 18" Gear |
| DD-521-P | RD-521 | 52,000 lbs | 18" Gear |
| DD-581-P | RD-581 | 58,000 lbs | 18" Gear |

Model Identification

Using Model Designation to Identify Axle Components

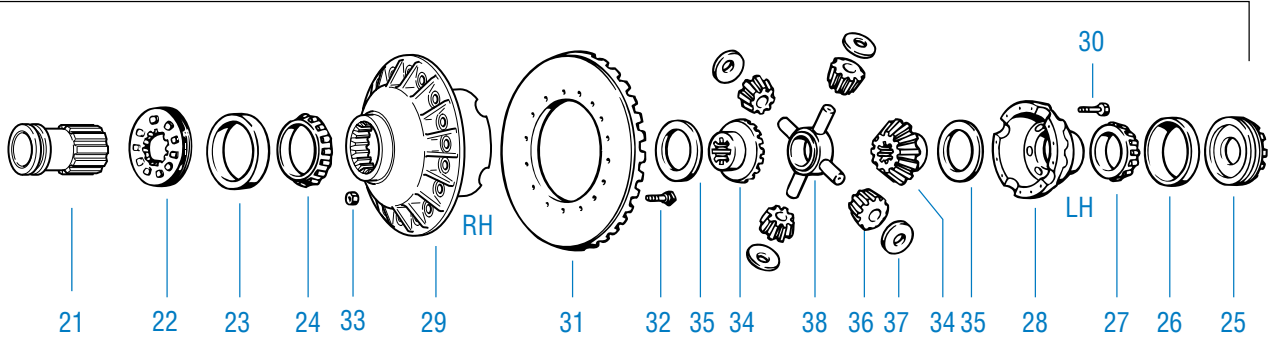
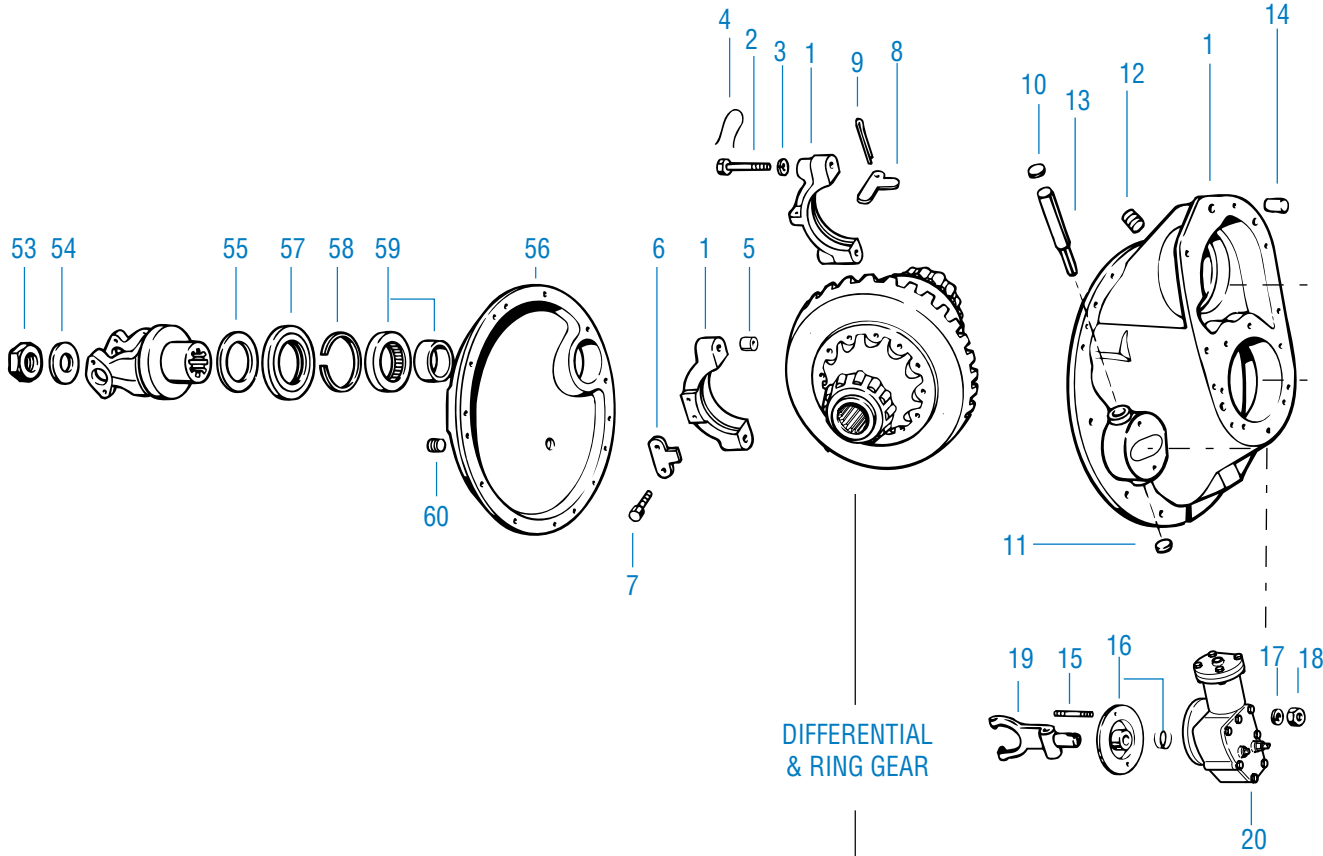
- The Axle Model Identification number contains information that is important to understand when purchasing service parts or new components. The Model identification number provides important vehicle, capacity and application information and model features. Use this guideline to understand your Axle Model Identification. If you need assistance, contact your Dana representative.



Example:
 DS = Forward Tandem/Single Reduction
 or
 RS = Rear Tandem/Single Reduction

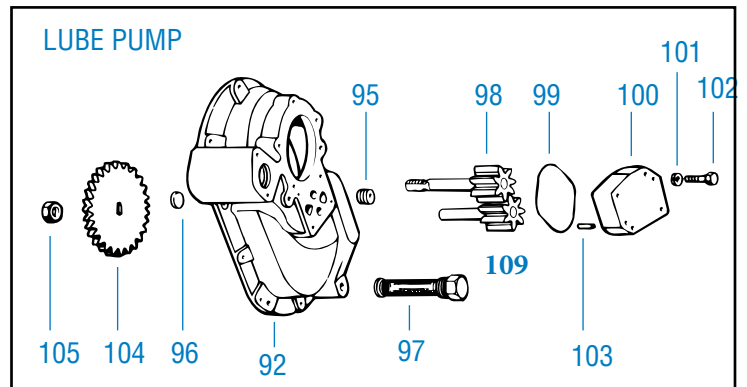
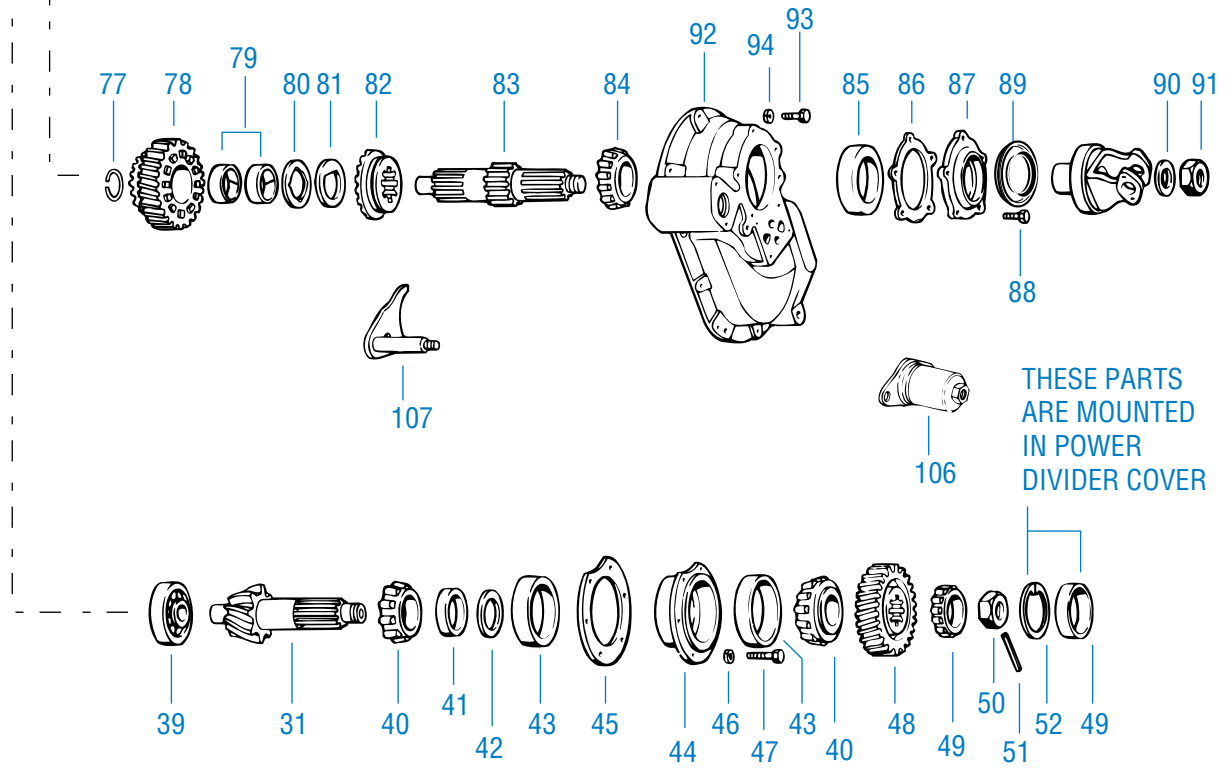
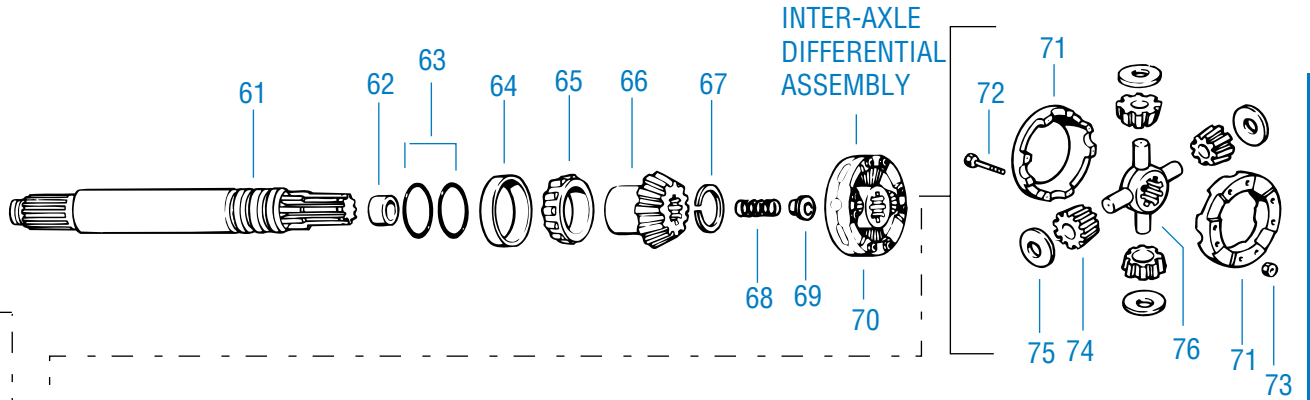
Single Reduction w/Wheel Differential Lock

Forward Axle



Single Reduction w/Wheel Differential Lock

Forward Axle



DD461-P
DD581-P
DD521-P

Single Reduction w/Wheel Differential Lock

Forward Axle

| Item | Description | Qty | Order Part No. | Notes |
|------|---|-----|----------------|--|
| | BASIC OVERHAUL KIT | 1 | 217621 | Contents Identified with * |
| 1 | DIFF CARRIER & BRG CAP KIT Carrier Casting No. 110500 -NSS | 1 | 106710 | Includes Items: 2-5, 10-18 45521 cover plate & 107276 RTV |
| 2 | Bearing Cap Screw | 4 | 32732 | |
| 3 | Flat Washer | 4 | 32912 | |
| 4 | Lockwire | 4 | 12563 | |
| 5 | Dowel Bushing | 2 | 32730 | |
| 6 | Brg Cap Adjuster Lock (RH) | 1 | 45448 | |
| 7 | Capscrew | 2 | 210601 | |
| 8 | Brg Cap Adjuster Lock (LH) | 1 | 14275 | |
| 9 | Cotter Pin (LH) | 1 | 90876 | |
| 10 | Expansion Plug (Upper) | 1 | 30703* | |
| 11 | Expansion Plug (Lower) | 1 | 9797* | |
| 12 | Filler Plug | 1 | 90325 | 3/4" |
| 13 | SHIFT FORK SHAFT ASSY Shaft# 41103 -NSS | 1 | 113801 | Includes 113140 O-Ring |
| 14 | Carrier Cover Dowel Pin | 2 | 7641 | |
| 15 | Shift Unit Mounting Stud | 2 | 119863 | |
| 16 | Shift Fork Seal & Spring Assy | 1 | 119855 | |
| 17 | Flat Washer | 2 | 119857 | |
| 18 | Stud Nut | 2 | 63028 | |
| 19 | Shift Fork & Roller Assy | 1 | 84508 | |
| 20 | Shift Unit Assy | 1 | | See: Piston Air Shift Unit, Pg 10-11 |
| 21 | Sliding Clutch | 1 | 935088 | |
| 22 | Diff Brg Adjuster (RH) | 1 | 82451 | |
| 23 | Diff Brg Cup (RH) | 1 | 21632* | |
| 24 | Diff Brg Cone (RH) | 1 | 102660* | |
| 25 | Diff Brg Adjuster (LH) | 1 | 21637 | |
| 26 | Diff Brg Cup (LH) | 1 | 15092* | |
| 27 | Diff Brg Cone (LH) | 1 | 27876* | |
| | WHEEL DIFF CASE KITS | 1 | | |
| | Ratios 3.55-4.11 | | 217619 | Includes Items 28-30 |
| | Ratios 4.33-6.67 | | 217620 | |
| 28 | Diff Case (Plain Half) NSS | 1 | 86777-NSS | |
| 29 | Diff Case (Flanged Half) NSS | 1 | 128980-NSS | Ratios 3.55-4.11 |
| | | | 128981-NSS | Ratios 4.33-6.67 |
| 30 | Diff Case Capscrew | 12 | 88503 | |
| 31 | Ring Gear & Drive Pinion Set | 1 | | See: Gear & Pinion Listing, Pg 12 |
| 32 | Bolt | 16 | 67586 | In kit 70745 |
| 33 | Nut | 16 | 60600 | In kit 70745 |
| | WHEEL DIFF SIDE GEAR KIT | | 114472 | Includes Items 34-38 |
| | WHEEL DIFF KIT w/o SIDE GEARS | | 118749 | Includes Items 35-38 |
| 34 | Diff Side Gear - 36 Involute | 2 | 93401 | |
| 35 | Side Gear Thrust Washer | 2 | 27274* | |
| 36 | Side Pinion | 4 | 86780 | |
| 37 | Side Pinion Thrust Washer | 4 | 86781* | |
| 38 | Spider | 1 | 86778 | |

Single Reduction w/Wheel Differential Lock

Forward Axle

| Item | Description | Qty | Order Part No. | Notes |
|------|---|-----|----------------|--|
| 39 | Pinion Pilot Brg | 1 | 126187* | |
| 40 | Pinion Brg Cone | 2 | 14218* | |
| 41 | Pinion Brg Spacer Washer | 1 | 78904* | |
| 42 | Pinion Brg Spacer | AR | | See: Pinion Brg Spacer Chart, Pg 7 |
| 43 | Pinion Brg Cup | 2 | 14217* | |
| 44 | PINION BRG CAGE & CUP ASSY Cage # 78932 -NSS | 1 | 78914 | Includes Item 43 |
| 45 | Pinion Brg Cage Shim | AR | | |
| | .003" | | 45461* | |
| | .005" | | 62829* | |
| | .010" | | 45462* | |
| | .020" | | 62830* | |
| | .030" | | 45463* | |
| 46 | Lockwasher | 6 | 37207 | |
| 47 | Bearing Cage Capscrew | 6 | 62158 | |
| 48 | Pinion Helical Gear | 1 | 119995 | |
| 49 | Outer Pinion Support Brg & Race Assy | 1 | 78916* | |
| 50 | Pinion Shaft End Nut | 1 | 126182 | |
| 51 | Pinion Nut Spring Pin | 1 | 118807 | |
| 52 | Outer Pinion Brg Snap Ring | 1 | 78937* | |
| 53 | Output Shaft Nut | 1 | 210508 | |
| 54 | Output Shaft Washer | 1 | 210509 | |
| 55 | Rear Brg Retaining Washer | 1 | 78922 | |
| 56 | AXLE HSG COVER ASSY Cover# 84546 -NSS | 1 | 107863 | Includes Items 57-59 |
| 57 | Output Shaft Oil Seal | 1 | 210737* | Microlip Design |
| 58 | Bearing Snap Ring | 1 | 78937* | |
| 59 | Output Shaft Brg Assy | 1 | 78936* | Inner Race 118787-NSS Outer Race 118788-NSS |
| 60 | Magnetic Filler Plug | 1 | 75130 | 1" |
| | Filler Plug | 1 | 90898 | 1/2" |
| 61 | OUTPUT SHAFT KIT Shaft# 119991-NSS 41 SPL, 2.100" dia. | 1 | 122419 | Includes Items 53-54, 62-63, 67 |
| 62 | Output Shaft Bushing | 1 | 48922* | |
| 63 | Output Shaft O-Ring | 2 | 78931* | |
| 64 | Output Shaft Brg Cup | 1 | 24328* | |
| 65 | Output Shaft Brg Cone | 1 | 24330* | |
| 66 | Output Shaft Side Gear | 1 | 78911 | |
| 67 | Side Gear Snap Ring | 1 | 85994* | |
| 68 | Output Shaft Compression Spring | 1 | 127095 | |
| 69 | Output Shaft Thrust Bearing | 1 | 51228 | |
| 70 | INTER-AXLE DIFF ASSY | 1 | 121681 | Includes Items 71-76 |
| 71 | INTER-AXLE DIFF CASE KIT Case Half 126151-NSS | 1 | 211252 | Includes Items 72-73 |
| 72 | Case Bolt | 8 | 57636 | |
| 73 | Case Nut | 8 | 57637 | |
| 74 | Side Pinion | 4 | 95218 | |
| 75 | Side Pinion Thrust Washer | 4 | 126180* | |

DD461-P
DD581-P

DD521-P

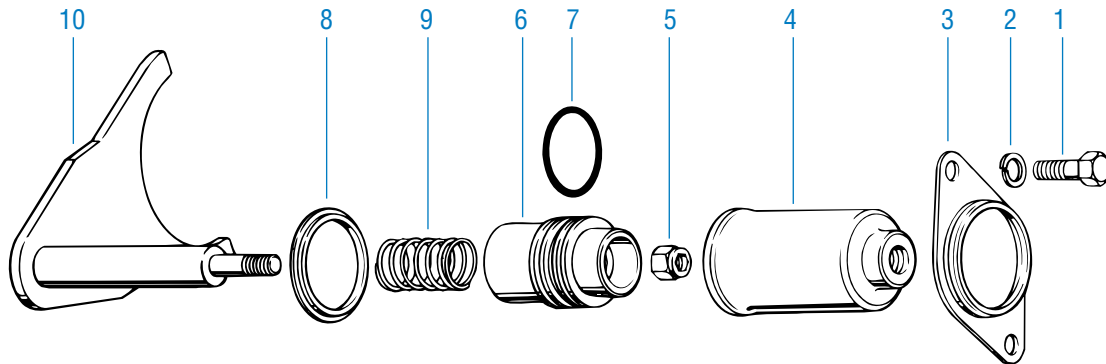
Single Reduction w/Wheel Differential Lock

Forward Axle

| Item | Description | Qty | Order Part No. | Notes |
|------|--|-----|---------------------------------------|--------------------------------------|
| 77 | Helical Side Gear Snap Ring | 1 | 78909* | |
| 78 | Helical Side Gear & Bushing Assy Gear# 113328-NSS | 1 | 113331 | Includes Item 79 |
| 79 | Helical Side Gear Bushing | 2 | 75063* | |
| 80 | Helical Side Gear Thrust Washer | 1 | 79034* | |
| 81 | Helical Side Gear "D" Washer | 1 | 56360* | |
| 82 | Lockout Sliding Clutch | 1 | 119948 | |
| 83 | INPUT SHAFT KIT Shaft# 119990-NSS, 46 SPL, 2.350" dia. | 1 | 122418 | Includes Item 91 |
| 84 | Input Shaft Brg Cone | 1 | 98387* | |
| 85 | Input Shaft Brg Cup | 1 | 98388* | |
| 86 | Input Bearing Cover Shim .003" .005" .010" .020" | AR | 78918* 78919* 78920* 113130* | |
| 87 | INPUT BRG COVER ASSY Cover# 111690-NSS | 1 | 111691 | Includes Items 85 & 89 |
| 88 | Bearing Cover Capscrew | 5 | 126243 | |
| 89 | Input Shaft Oil Seal | 1 | 210736* | Microlip Design |
| 90 | Input Shaft Nut Washer | 1 | 126242* | |
| 91 | Input Shaft Nut | 1 | 126155 | |
| 92 | PDU CARRIER COVER ASSY Cover# 103526-NSS | 1 | 103536 | Includes Items 95-96 |
| 93 | Carrier Cover Capscrew | 8 | 90069 | Short |
| | | 1 | 9309 | Long |
| | | 1 | 81855 | Socket Head |
| 94 | Lockwasher | 10 | 90417 | |
| 95 | Pipe Plug | 1 | 90325 | |
| 96 | Expansion Plug | 1 | 9797 | |
| 97 | Magnetic Filter Screen | 1 | 102611* | |
| | LUBE PUMP REPLACEMENT KIT | | 121302 | Includes Items 98-105 & 109 |
| 98 | Oil Pump Gear - Long | 1 | 111779 | |
| 99 | Cover O-ring | 1 | 102620* | |
| 100 | Lube Pump Cover | 1 | 102607 | |
| 101 | Lockwasher | 4 | 90419 | |
| 102 | Cover Capscrew | 4 | 102618 | |
| 103 | Cover Dowel Pin | 2 | 102617 | |
| 104 | Pump Drive Gear | 1 | 119946 | |
| 105 | Drive Gear Locknut | 1 | 111451 | |
| 106 | AIR-OPER. LOCKOUT ASSY | 1 | 123218 | See: Differential Lockout Assy, Pg 7 |
| 107 | SHIFT FORK & PUSH ROD ASSY | 1 | 103529 | |
| 108 | RTV - Sealant | AR | 107276* | |
| 109 | Oil Pump Gear - Short | 1 | 102625 | |

Single Reduction w/Wheel Differential Lock

Differential Lockout Assembly



| Item | Part Name | Qty | Order Part No. | Remarks |
|------|----------------------------|-----|----------------|---------|
| 1 | Capscrew | 2 | 210381 | |
| 2 | Lockwasher | 2 | 90415 | |
| 3 | Mounting Bracket | 1 | 127675 | |
| 4 | Piston Housing | 1 | 119923 | |
| 5 | Locknut | 1 | 128160 | |
| 6 | Piston | 1 | 119912 | |
| 7 | Piston O-Ring | 1 | 210180 | |
| 8 | Shoulder Washer | 1 | 210452 | |
| 9 | Compression Spring | 1 | 31038 | |
| 10 | Shift Fork & Push Rod Assy | 1 | 103529 | |
| 11 | RTV Sealant | AR | 107276 | |

Kits And Assemblies

| | | |
|----------------------------|--------|---------------------|
| Air-Operated Lockout Assy. | 123218 | Includes Items 1-10 |
| Air Lockout Repair Kit | 211198 | Includes Items 5-9 |
| Piston Kit | 121333 | Includes Items 3-8 |

Pinion Bearing Spacers

Pinion Bearing Spacer size is equal to thickness in inches. The most commonly used spacers are indicated with an asterix*.

| Size" | Part# | Size" | Part# | Size" | Part# | Size" | Part# |
|-------|-------|-------|--------|-------|--------|-------|--------|
| .167 | 91679 | .177 | 91689* | .187 | 91706* | .197 | 91722 |
| .168 | 91680 | .178 | 91690* | .188 | 91708* | .198 | 91723* |
| .169 | 91681 | .179 | 91691* | .189 | 91710* | .199 | 91724 |
| .170 | 91682 | .180 | 91692* | .190 | 91712 | .200 | 91725 |
| .171 | 91683 | .181 | 91694* | .191 | 91714 | .201 | 91726 |
| .172 | 91684 | .182 | 91696* | .192 | 91716 | .202 | 91727 |
| .173 | 91685 | .183 | 91698* | .193 | 91718* | | |
| .174 | 91686 | .184 | 91700* | .194 | 91719 | | |
| .175 | 91687 | .185 | 91702* | .195 | 91720* | | |
| .176 | 91688 | .186 | 91704* | .196 | 91721 | | |

DD461-P
DD581-P

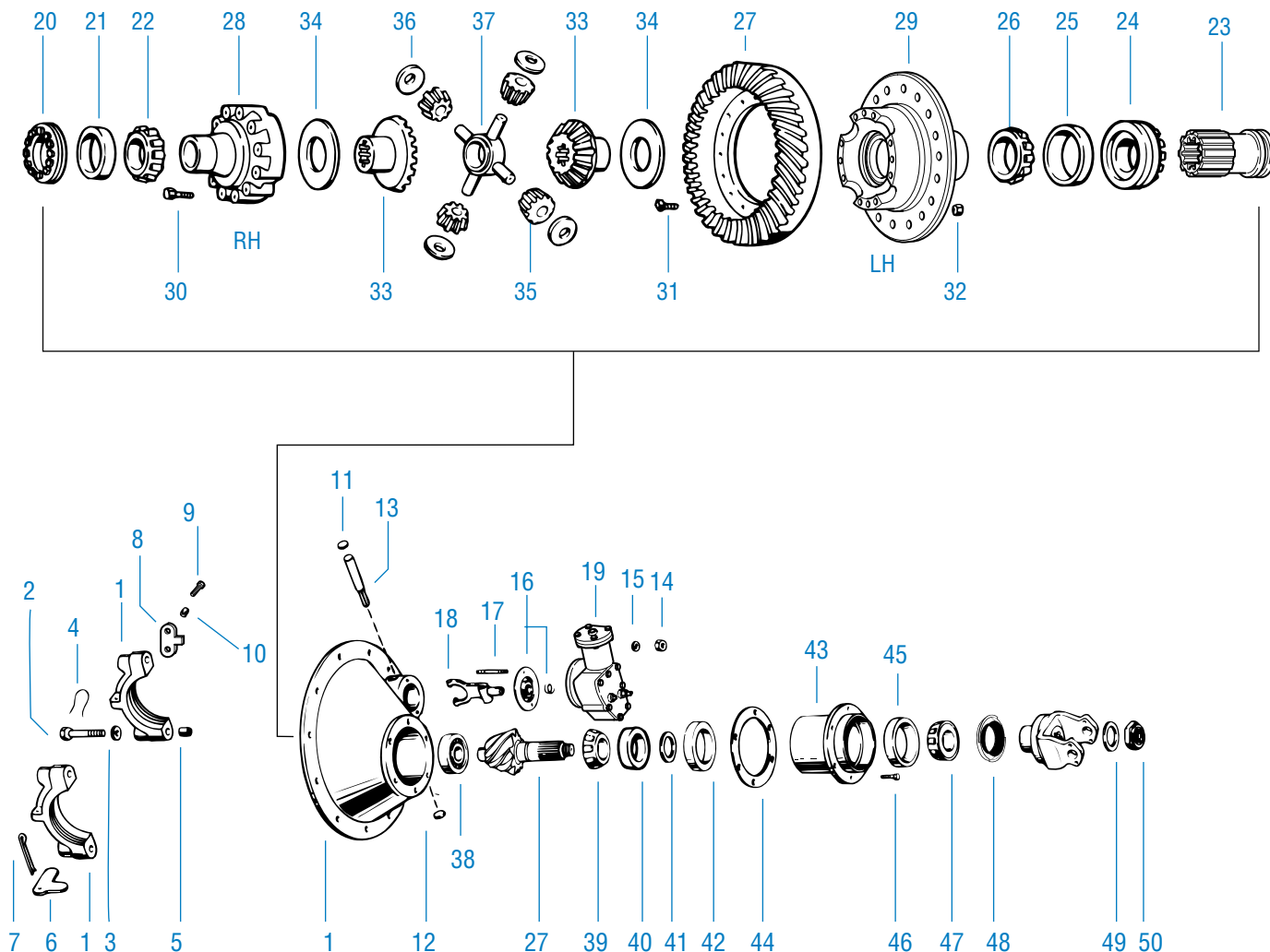
DD521-P

Lockout Assembly

Pinion Bearing Spacers

Single Reduction w/Wheel Differential Lock

Rear Axle



| Item | Description | Qty | Order Part No. | Notes |
|------|--|-----|----------------|--|
| | BASIC OVERHAUL KIT | 1 | 217622 | Contents Identified with * |
| 1 | DIFF CARRIER & BRG CAP KIT Carrier Casting No. 127218R -NSS | 1 | 98590 | Includes Items: 2-5, 10-17 45521 cover plate & 107276 RTV |
| 2 | Bearing Cap Screw | 2 | 32732 | |
| | | 2 | 127180 | |
| 3 | Flat Washer | 4 | 32912 | |
| 4 | Lockwire | 4 | 12563 | |
| 5 | Dowel Bushing | 2 | 32730 | |
| 6 | Brg Cap Adjuster Lock (RH) | 1 | 14275 | |
| 7 | Cotter Pin (RH) | 1 | 90876 | |
| 8 | Brg Cap Adjuster Lock (LH) | 1 | 45448 | |
| 9 | Adjuster Lock Capscrew | 2 | 210601 | |
| 10 | Dowel Bushing -Adjuster Lock | 2 | 37746 | |
| 11 | Expansion Plug (Upper) | 1 | 30703* | |
| 12 | Expansion Plug (Lower) | 1 | 9797* | |
| 13 | SHIFT FORK SHAFT ASSY Shaft# 41103 -NSS | 1 | 113801 | Includes 113140 O-Ring |
| 14 | Stud Nut | 2 | 63028 | |
| 15 | Flat Washer | 2 | 119857 | |

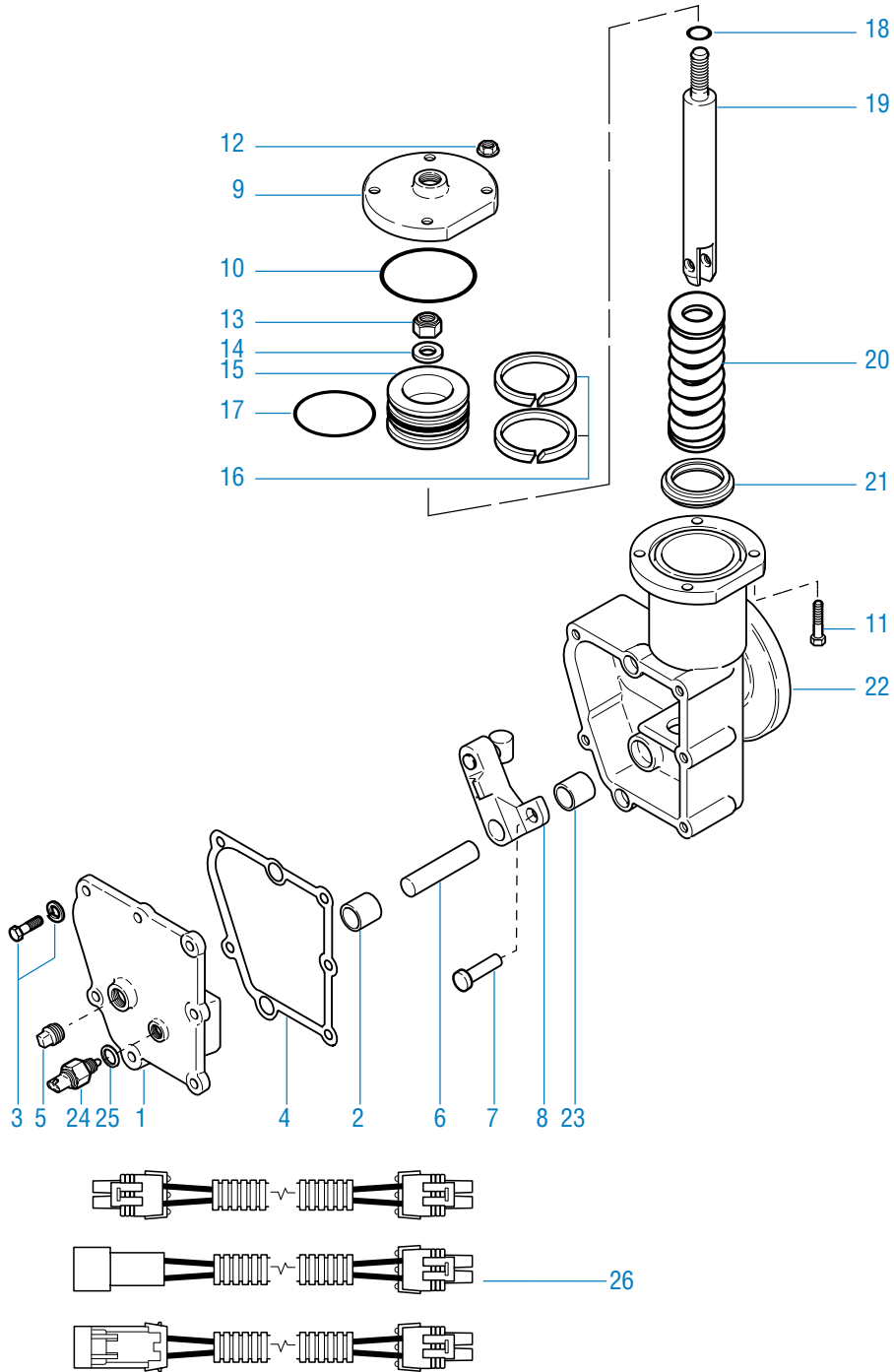
| Item | Description | Qty | Order Part No. | Notes |
|------|-------------------------------|-----|----------------|--------------------------------------|
| 16 | Shift Fork Seal & Spring Assy | 1 | 119855* | |
| 17 | Shift Fork Mounting Stud | 2 | 119863 | |
| 18 | Shift Fork & Roller Assy | 1 | 84508 | |
| 19 | Shift Unit Assy | 1 | | See: Piston Air Shift Unit, Pg 10-11 |
| 20 | Diff Brg Adjuster (RH) | 1 | 21637 | |
| 21 | Diff Brg Cup (RH) | 1 | 15092* | |
| 22 | Diff Brg Cone (RH) | 1 | 27876* | |
| 23 | Sliding Clutch | 1 | 935088 | |
| 24 | Diff Brg Adjuster (LH) | 1 | 82451 | |
| 25 | Diff Brg Cup (LH) | 1 | 21632* | |
| 26 | Diff Brg Cone (LH) | 1 | 102660* | |
| 27 | Ring Gear & Drive Pinion Set | 1 | | See: Gear & Pinion Listing, Pg 12 |
| | WHEEL DIFF CASE KITS | 1 | | Includes Items 28-30 |
| | Ratios 3.55-4.11 | | 217619 | |
| | Ratios 4.33-6.67 | | 217620 | |
| 28 | Diff Case (Plain Half) NSS | 1 | 86777-NSS | |
| 29 | Diff Case (Flanged Half) NSS | 1 | 128980-NSS | Ratios 3.55-4.11 |
| | | | 128981-NSS | Ratios 4.33-6.67 |
| 30 | Diff Case Capscrew | 12 | 88503 | |
| 31 | Bolt | 16 | 67586 | In kit 70745 |
| 32 | Nut | 16 | 60600 | In kit 70745 |
| | WHEEL DIFF SIDE GEAR KIT | | 114472 | Includes Items 33-37 |
| | WHEEL DIFF KIT w/o SIDE GEARS | | 118749 | Includes Items 34-37 |
| 33 | Diff Side Gear - 36 Involute | 2 | 93401 | |
| 34 | Side Gear Thrust Washer | 2 | 27274* | |
| 35 | Side Pinion | 4 | 86780 | |
| 36 | Side Pinion Thrust Washer | 4 | 86781* | |
| 37 | Spider | 1 | 86778 | |
| 38 | Pinion Pilot Brg | 1 | 126187* | |
| 39 | Pinion Brg Cone (Inner) | 1 | 27239* | |
| 40 | Pinion Brg Spacer Washer | 1 | 31366* | |
| 41 | Pinion Brg Spacer | AR | | See: Pinion Brg Spacer Chart, Pg 7 |
| 42 | Pinion Brg Cup (Inner) | 1 | 27238* | |
| 43 | PINION BRG CAGE & CUP ASSY | 1 | 210592 | Includes Items 42 & 45 |
| | Cage# 210591-NSS | | | |
| 44 | Pinion Brg Cage Shim | AR | | |
| | .003" | | 67920* | |
| | .005" | | 67921* | |
| | .010" | | 67922* | |
| | .020" | | 67923* | |
| | .030" | | 67924* | |
| 45 | Pinion Brg Cup (Outer) | 1 | 14217* | |
| 46 | Brg Cage Capscrew | 6 | 113327 | |
| 47 | Pinion Brg Cone (Outer) | 1 | 14218* | |
| 48 | Pinion Oil Seal | 1 | 210724* | Microlip Design |
| 49 | Flat Washer | 1 | 210509 | |
| 50 | Pinion Nut | 1 | 210508 | |
| 51 | RTV Sealant | AR | 107276* | |

RD461
RD581

RD521

Shift System

Piston Air Shift Unit



61804-6-94

Piston Air Shift Unit

| Item | Description | Qty | Order Part No. | Notes |
|------|---|-----|----------------------------|--|
| 1 | COVER ASSY DD Models - cover# 73484 -NSS RD Models - cover# 73485 -NSS | 1 | 129032 129033 | Includes Item 2 |
| 2 | Cover Bearing | 1 | 73481 | Self-Tapping |
| 3 | Screw & Washer Assy | 7 | 88053 | |
| 4 | Cover Gasket | 1 | 73488 | |
| 5 | Cover Plug | 1 | 28325 | |
| 6 | Actuating Lever Pin | 1 | 73456 | |
| 7 | Clevis Pin | 1 | 73498 | |
| 8 | ACTUATING LEVER, PIN & BLOCK ASSY DD Models RD Models | 1 | 129025 129029 | |
| 9 | Shift Hsg Cover | 1 | 73490 | |
| 10 | Seal Ring | 1 | 73492 | |
| 11 | Cover Bolt | 4 | 73491 | |
| 12 | Lock Nut | 4 | 47641 | |
| 13 | Lock Nut | 1 | 73496 | |
| 14 | Washer | 1 | 111406 | |
| 15 | Piston | 1 | 73493 | |
| 16 | Felt Piston Oiler (strip) | 2 | 96916 | |
| 17 | Piston O-Ring | 1 | 32832 | |
| 18 | Grommet | 1 | 32826 | |
| 19 | Push Rod | 1 | 73497 | |
| 20 | Compression Spring | 1 | 73494 | |
| 21 | Piston Stop | 1 | 73495 | |
| 22 | HOUSING ASSY DD Models RD Models | 1 | 82428 82429 | Includes Items 3 & 23 |
| 23 | Housing Bearing | 1 | 73481 | |
| 24 | Switch | 1 | 129035 | |
| 25 | Nylon Washer | 1 | 129034 | |
| 26 | Wiring Harness | 1 | 129044 129046 129047 | Metri-pack 150 series Metri-pack 280 series (Mack Only) Weather Pack |

Kits And Assemblies

DD Models

| | | |
|--|--------|--|
| Piston Air Shift Unit & Wiring Harness | 129068 | Incls Items 1-25 & Wiring Harness 129044 |
| Piston Air Shift Unit & Wiring Harness | 129069 | Incls Items 1-25 & Wiring Harness 129046 |
| Piston Air Shift Unit & Wiring Harness | 129070 | Incls Items 1-25 & Wiring Harness 129047 |

RD Models

| | | |
|--|--------|--|
| Piston Air Shift Unit & Wiring Harness | 129065 | Incls Items 1-25 & Wiring Harness 129044 |
| Piston Air Shift Unit & Wiring Harness | 129066 | Incls Items 1-25 & Wiring Harness 129046 |
| Piston Air Shift Unit & Wiring Harness | 129067 | Incls Items 1-25 & Wiring Harness 129047 |

Drive Pinion and Gear Set

Single Reduction - 18" Gearing

| Ratios | Forward Axle Models: DD461-P, DD521-P, DD581-P | | | Rear Axle Models: RD461, RD521, RD581 | | |
|--------|--|------------|--------------------------------|---------------------------------------|------------|--------------------------------|
| | Gear Set | Gear (NSS) | Pinion (NSS) 41,2.100" Dia. | Gear Set | Gear (NSS) | Pinion (NSS) 41,2.100" Dia. |
| 3.55 | 122667 | 126678(39) | 126679(11) | 122668 | 111349(39) | 126677(11) |
| 3.70 | 122334 | 98160(37) | 126161(10) | 121887 | 88500(37) | 126120(10) |
| 3.90 | 123333 | 99900(39) | 127047(10) | 123334 | 99896(39) | 127048(10) |
| 4.11 | 122335 | 94381(37) | 126162(9) | 121888 | 88502(37) | 126121(9) |
| 4.33 | 122336 | 78856(39) | 126163(9) | 121889 | 52999(39) | 126118(9) |
| 4.56 | 122337 | 78858(41) | 126164(9) | 121890 | 73312(41) | 126125(9) |
| 4.88 | 122338 | 78860(39) | 126165(8) | 121891 | 53001(39) | 126119(8) |
| 5.29 | 211333 | 127339(37) | 127327(7) | 211335 | 127338(37) | 127328(7) |
| 5.43 | 122339 | 78862(38) | 126166(7) | 121892 | 53003(38) | 126122(7) |
| 6.17 | 122340 | 78864(37) | 126167(6) | 121893 | 53005(37) | 126123(6) |
| 6.50 | 212890 | 128028(39) | 128029(6) | 212891 | 128030(39) | 128031(6) |
| 6.67 | 213287 | 107888(40) | 128052(6) | 213288 | 53007(40) | 126124(6) |

Carrier Exchange Assemblies

These assemblies are complete, less input yoke and shift units.

Single Reduction w/Differential Lock

| Gear Ratio | DD461-P | RD461 |
|-------------|---------|--------|
| | DD521-P | RD521 |
| 36 Involute | DD581-P | RD581 |
| 3.55 | 675326 | 675338 |
| 3.70 | 675327 | 675339 |
| 3.90 | 675328 | 675340 |
| 4.11 | 675329 | 675341 |
| 4.33 | 675330 | 675342 |
| 4.56 | 675331 | 675343 |
| 4.88 | 675332 | 675344 |
| 5.29 | 675333 | 675345 |
| 5.43 | 675334 | 675346 |
| 6.17 | 675335 | 675347 |
| 6.50 | 675336 | 675348 |
| 6.67 | 675337 | 675349 |

Axle Shaft Chart

| Part No. | Qty | Spline | Body O.D. | Shaft Length | Spline Length | Flange O.D. | Flange Holes | OEM |
|----------|-----|--------|-----------|--------------|---------------|-------------|--------------|--------------|
| 119903 | 1 | 36 | 2.25 | 41.25 | 3.750" | 8.375 | 8 (.948) TPR | 4,6,7,9,11 |
| 128315 | 1 | 36 | 2.25 | 41.312 | 10.236" | 8.375 | 8 (.948) TPR | 4,6,7,9,11 |
| 119904 | 1 | 36 | 2.25 | 45.25 | 3.750" | 8.375 | 8 (.948) TPR | 6 |
| 129000 | 1 | 36 | 2.25 | 45.25 | 10.236" | 8.375 | 8 (.948) TPR | 6 |
| 126195 | 1 | 36 | 2.25 | 42.25 | 3.750" | 8.375 | 8 (.948) TPR | 5,6,7,9 |
| 128547 | 1 | 36 | 2.25 | 42.216 | 10.236" | 8.375 | 8 (.948) TPR | 5,6,7,9 |
| 126196 | 1 | 36 | 2.25 | 44.25 | 3.750" | 8.375 | 8 (.948) TPR | 7,9 |
| 129002 | 1 | 36 | 2.25 | 44.25 | 10.236" | 8.375 | 8 (.948) TPR | 7,9 |
| 128553 | 1 | 36 | 2.25 | 40.563 | 4.000" | 8.375 | 8 (.635) STR | 5,6 |
| 128549 | 1 | 36 | 2.25 | 40.563 | 10.236" | 8.375 | 8 (.635) STR | 5,6 |
| 126881 | 1 | 36 | 2.25 | 40 | 3.750" | 8.375 | 8 (.948) TPR | 1 |
| 128318 | 1 | 36 | 2.25 | 40.563 | 10.236" | 8.375 | 8 (.948) TPR | 1 |
| 128400 | 1 | 36 | 2.25 | 41.312 | 4.000" | 8.375 | 8 (.773) STR | 10 |
| 128550 | 1 | 36 | 2.25 | 41.312 | 10.236" | 8.375 | 8 (.773) STR | 10 |
| 126973 | 1 | 36 | 2.25 | 40.563 | 4.000" | 8.375 | 8 (.773) STR | 10 |
| 128317 | 1 | 36 | 2.25 | 40.563 | 10.236" | 8.375 | 8 (.773) STR | 10 |
| 126965 | 1 | 36 | 2.25 | 41.312 | 4.000" | 8.5 | 8 (.948) TPR | 4,5,7,8,9,11 |
| 128315 | 1 | 36 | 2.25 | 41.312 | 10.236" | 8.5 | 8 (.948) TPR | 4,5,7,8,9,11 |
| 126967 | 1 | 36 | 2.25 | 41.312 | 4.000" | 8.5 | 8 (.635) STR | 3,5" |
| 128316 | 1 | 36 | 2.25 | 41.312 | 10.236" | 8.5 | 8 (.635) STR | 3,5" |

- 1 = Ford
- 2 = GMC
- 3 = Freightliner
- 4 = Mack
- 5 = Peterbilt
- 6 = Kenworth
- 7 = Volvo White
- 8 = Marmon
- 9 = Western Star
- 10 = Navistar
- 11 = Crane Carrier

For specifying or service assistance, call 1-877-777-5360 or visit our website at www.dana.com

Dana Commercial Vehicle Products Group

3939 Technology Drive
Maumee, Ohio, USA 43537

www.dana.com



SPICER[®]

Drivetrain Products