

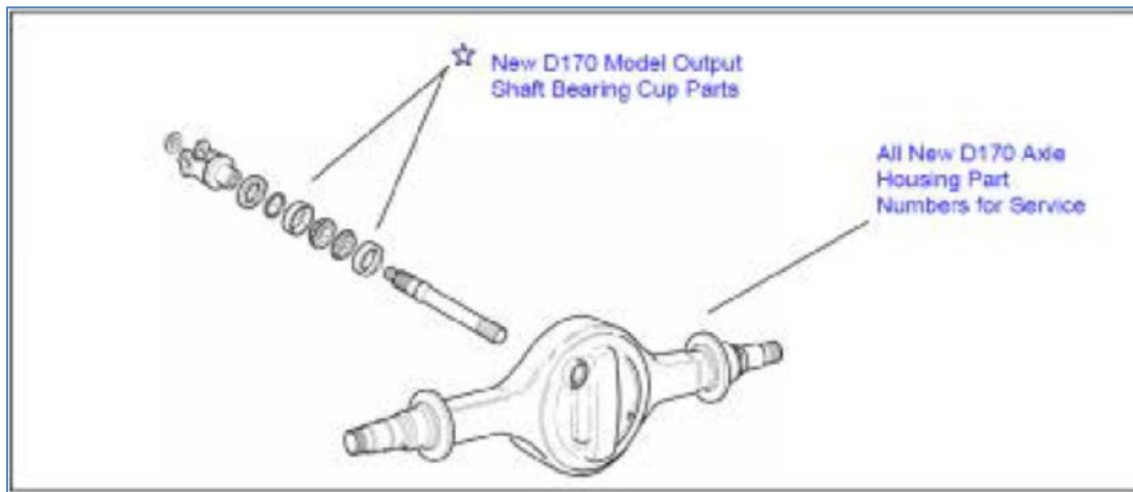
Axle Parts Bulletin

DATE: 24/03/2022

OUTPUT SHAFT BEARING KITS

For Axle Models: D170/ D190

Dana has made a couple of design changes to the output shaft bearing components. There are **three** individual service kits available for the configurations that exist in the field today. See below for the details of the kits and when the axles were built.



Number 1

From 2003 to June 2010

For the original design axle housings with original bearing cup and original snap ring groove location use the kit **513877** when replacing the bearing parts from any original design axle housing or bolt on cover.

Kit 513877

Spicer Part-No.	Description	Qty	Notes
078937	Snap Ring	1	Original Design Dim: .093" x 4.14"
131212	Bearing Cup	2	Cup ID# NP802507
131211	Bearing Cone	2	Cone ID# NP197868



Number 2

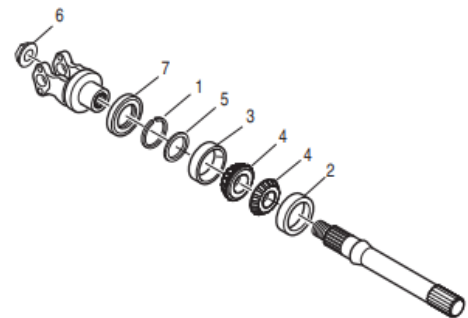
From June 2010 to October 2011

For the Interim Build Configuration Original Housing and use of axle housing spacer & 1 bearing cup 139980

The **504054** kit shown below was released and used when replacing the bearing parts from axle built from the 7th February 2011 to break point dates advised on page one. Axle assemblies used a bearing spacer in addition to the bearing cup combination of 139980 / 131212. Check individual component identification or confirm axle build date from axle I.D tag if available. This kit contains a replacement output nut and seal

Output Shaft Bearing Kit: 504054

Item	Qty Per Description	Axle	Part-No.	Notes
1	Snap Ring	1	78937	Dim: .093" x 4.14"
2	Bearing Cup	1	131212	Inner Cup ID# NP802507
3	Bearing Cup	1	139980	Outer Cup ID# NP910345
4	Bearing Cone	2	131211	Cone ID# NP197868
5	Housing Spacer	1	139979	Interim Housing Spacer (.172")
6	Output Nut	1	128049	Output Nut
7	Oil Seal	1	210737	Thru-Shaft Seal



Note: The kit 504054 (2) can be used in place of the original kit 513877 (1) as this kit contains the parts used for the original kit. However, the 504054 can NOT be used in the current design (3) axle housings.

Number 3

From October 2011

The current axle housings with new bearing cups and snap ring groove location change, use kit **504060** when replacing the bearing parts from new build configurations or when ordering any of the new design axle housings with the relocated snap ring groove. New design housing we used from 28th March 2012. Refer to the axle housing replacement chart on page 3.

Kit 504060

Spicer Part-No.	Description	Qty	Notes
134322	Snap Ring .109"	1	New Design Dim: .109" x 4.22"
139980	Bearing Cup	2	Cup ID# NP910345
131211	Bearing Cone	2	Cone ID# NP197868



Axle Assembly Manufacturing Break point Dates.

D170 New axle housings with repositioned snap ring groove built from **28th March 2012**

D190 New bolt on covers with repositioned snap ring groove built from **1st Nov 2011**

D170 AXLE HOUSING REPLACEMENT CHART:

The chart below shows the supersession of the D170 axle housing used in Australian OE applications.

NOTE: All NEW axle housings released for service by Dana are now sold less the miscellaneous hardware parts such as studs, washers, cap screws, plugs and breather parts. These parts are available and are shown on page 5 of this bulletin.



NOTE: OE Dealers should now stock New Output Shaft Bearing Kit 504060. If servicing or using any of the **New Replacement** axle housings shown in the chart below, the bearing components in kit 504060 must also be used.

Part Description	Old Part Number	New Part Number
Housing w/cover D46-170	321980	324252
Housing w/cover D50-170	322454	324523
Housing w/cover D46-170 Disc Brake	323361	324301

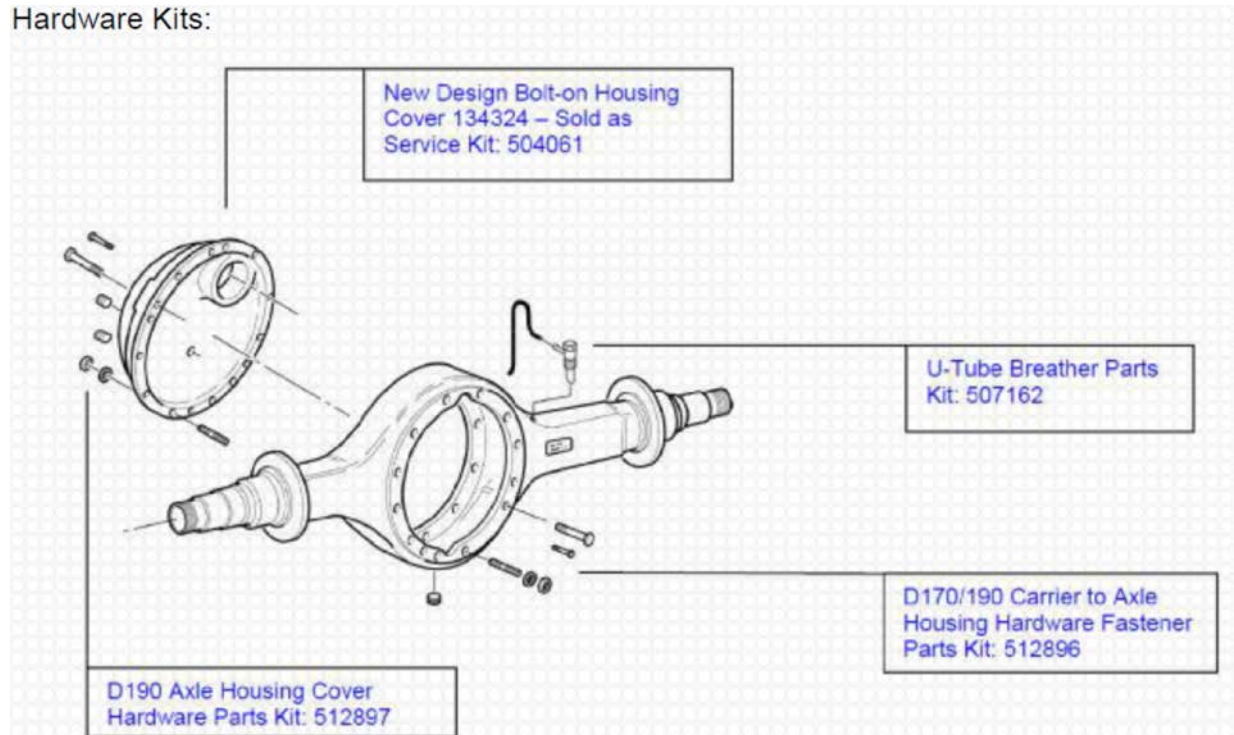
D190 AXLE HOUSING COVER:

The D190 Models have a bolt on axle housing cover which is now replaced by new cover part number 134324. The original cover 302576 was sold in service kit part number 513581 which now has been superseded to kit 504061. The 504061 kit contains the items listed in the chart below.

Axle Housing Cover and Bearing parts kit: 504061.

Spicer Part-No.	Description	Qty	Notes
134324	COVER - AXLE HOUSING	1	New cover with relocated snap ring groove
90898	PLUG 19P4	1	
129492	PLUG FILL	1	
131211	BEARING CONE	2	
134322	SNAP RING .109"	1	Use with new design cover 134324
139980	BEARING CUP	2	Use cups with new design cover 134324

Hardware Kits:



IMPORTANT REPLACEMENT REMINDERS AND TIPS

- Always check the individual components for OEM identification numbers as you do replacements. Assembly or mixing of wrong parts could lead to premature failures. Always check compatibility of parts before final assembly
- Use replacement charts and reference notes to determine correct replacement parts.
- Check with the OEM for vehicle build data if identification of components cannot be done.
- Always use Spicer Genuine replacement parts, Failure to use Genuine Spicer replacement parts could lead to premature failures in assemblies and could void existing warranty on the component or axle assembly involved.

If you have any questions, please call Dana Australia on 1300 003 262 or e-mail aus.spicer@dana.com for more information.