



**IPL-0106**

**ILLUSTRATED PART LIST**

Customer:	<b>DENNIS EAGLE</b>	
Axle Model:	<b>D&amp;R G150</b>	
Axle P/N:		
FORWARD	<b>826282</b>	<b>826285</b>
	<b>617457</b>	<b>617408</b>
	<b>826325</b>	<b>826323</b>
	<b>617801</b>	<b>617803</b>
REAR	<b>826283</b>	<b>826286</b>
	<b>617458</b>	<b>617409</b>
	<b>826326</b>	<b>826324</b>
	<b>617802</b>	<b>617804</b>
Document:	<b>IPL-0106</b>	
Issue:	<b>J</b>	

The description, testing procedures, and specifications contained in this parts / service publication were current at time of writing. This manual will not be updated. If in doubt about any aspect of maintenance or servicing of the axle please contact the vehicle builder or our service department directly.

**SPICER**® products are subject to continuous development and we reserve the right to modify procedures and to make changes in specifications at any time without prior notice and without incurring in any obligation.

The recommendations of the vehicle manufacturer should be considered as the primary source of service information regarding this **SPICER**® product. This manual is intended to be used as a supplement to such information.

Any references to brand names in this publication are made simply as an example of the types of tools and materials recommended for use and, as such, should not be considered as an endorsement.

This manual is the property of **Commercial Vehicle Products – Europe**, a division of **Dana Holding Corporation**, and may not be copied or disseminated without prior agreement of **Commercial Vehicle Products– Europe**, a division of **Dana Holding Corporation**.

**Commercial Vehicle Products – Europe**, a division of **Dana Holding Corporation**, recommends following all manufacturers recommendations for the proper handling and disposal of lubricants and solvents. For further information please contact the lubricants and solvents supplier.

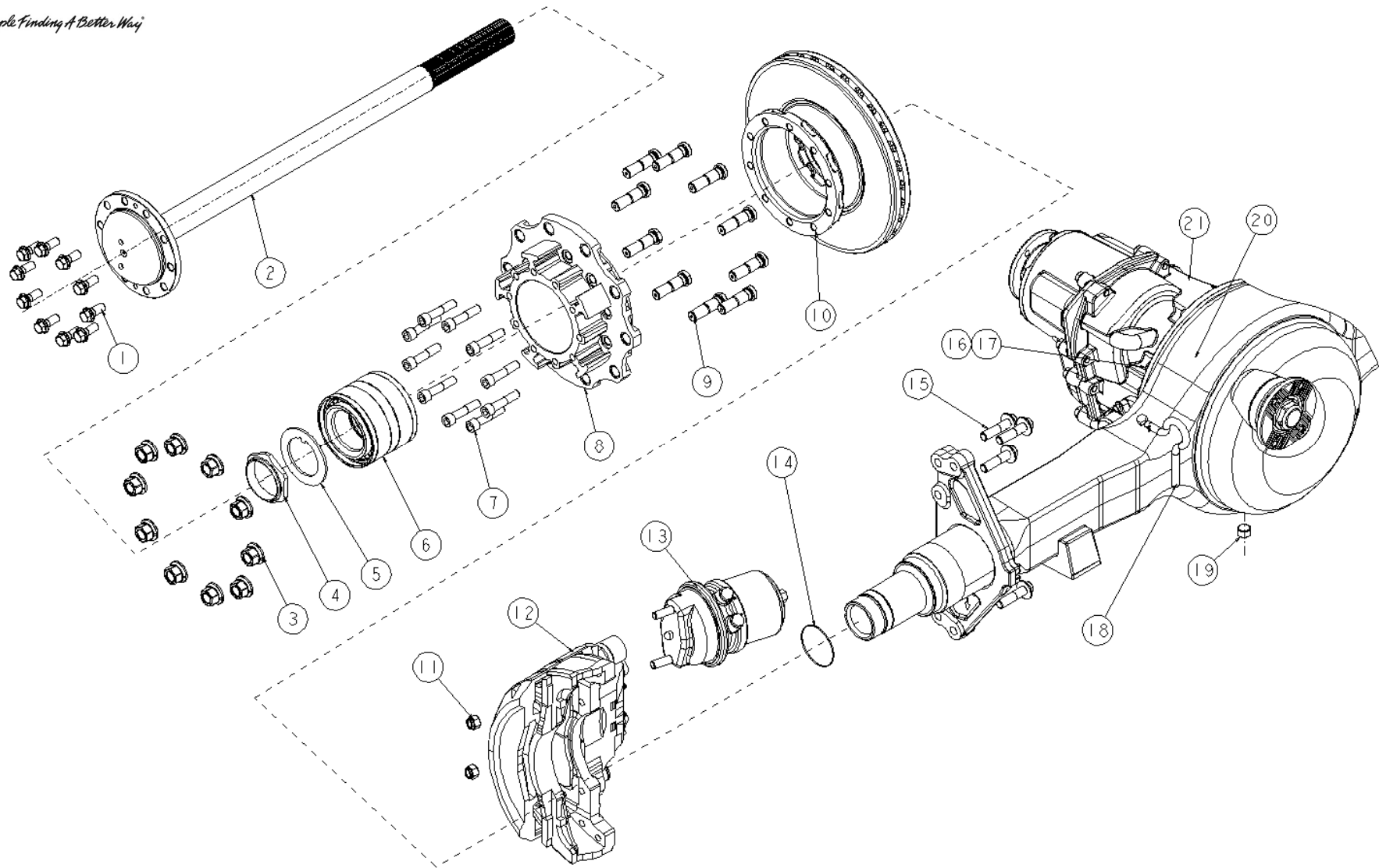
EVERY EFFORT HAS BEEN MADE TO ENSURE THE ACCURACY OF THE INFORMATION CONTAINED WITHIN THIS MANUAL.

**HOWEVER, COMMERCIAL VEHICLE PRODUCTS – EUROPE, A DIVISION OF DANA HOLDING CORPORATION, MAKES NO EXPRESSED OR IMPLIED WARRANTY OR REPRESENTATION BASED ON THE ENCLOSED INFORMATION.**

Modification	Approved by	Date	Issue	Eng. Change
<b>Forward</b> Item #29 was 129564, #30-129563, #41-129565, #42-129566, #48-127535, #50-129767, #49-12495, #51-129561, #53-127595, #54-129079, #55-129560, #62-128702, #73-129766, #74-129559, #76-127595, #78-129558 <b>Rear</b> Item #31 was 129564, #32-129563, #46-128604, #47-15092, #52-129562, #53-130150, #54-129561, #55-12495, #58-12496	C.G.	09/12/14	J	<b>EWO10645</b>



*People Finding A Better Way*

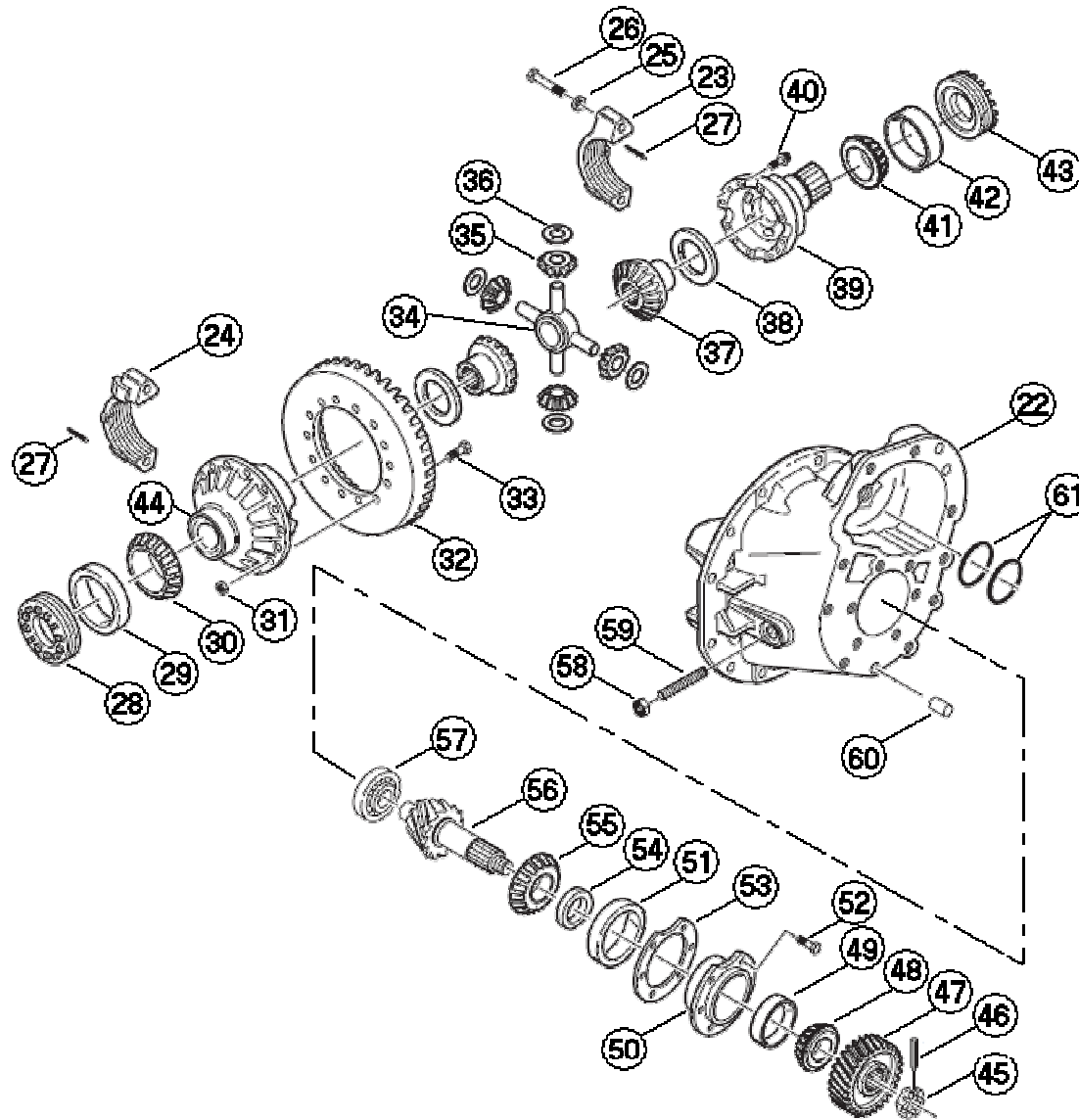


Dana Holding Corporation  
Commercial Vehicle Products – Europe

Technical Publications CVPE © 2008 Dana Limited  
for more information [www.dana.com](http://www.dana.com)



*People Finding A Better Way*

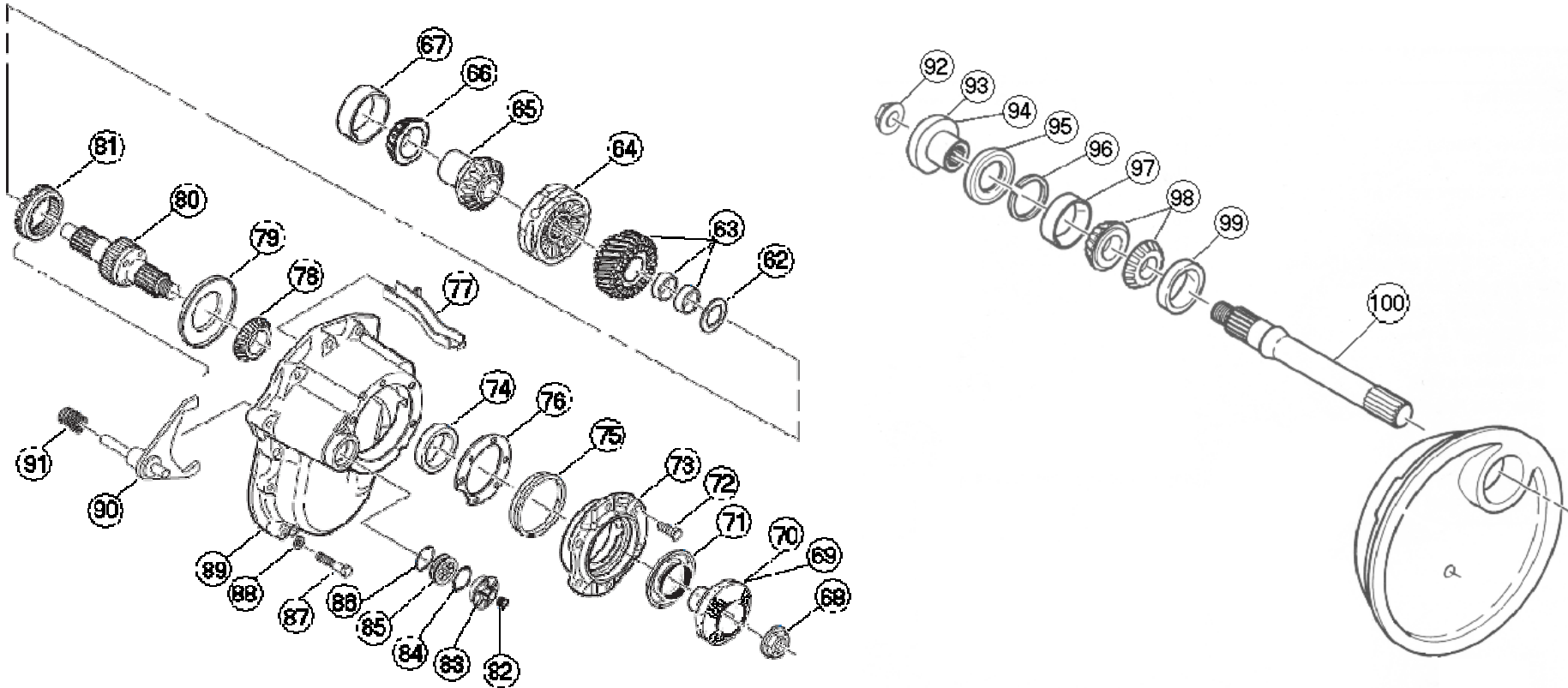


Dana Holding Corporation  
Commercial Vehicle Products – Europe

Technical Publications CVPE © 2008 Dana Limited  
for more information [www.dana.com](http://www.dana.com)



*People Finding A Better Way*



Dana Holding Corporation  
Commercial Vehicle Products – Europe

Technical Publications CVPE © 2008 Dana Limited  
for more information [www.dana.com](http://www.dana.com)

D&R G150 (FORWARD) 826282, 826285, 826325, & 826323 Part List

Item	Part Number				Description	Qty <sup>0</sup>
	826282 Ratio 7.17	826285 Ratio 7.17	826325 Ratio 6.17	826323 Ratio 5.29		
1		830434			Bolt, Axle Shaft	20
2		834210			Axle Shaft L.H.	1
		834209			Axle Shaft R.H.	1
3		833206			Wheel Nut	20
4		833066			Nut, Spindle <sup>1</sup>	2
5		833067			Washer, Spindle <sup>1</sup>	2
6		833217			Bearing <sup>2</sup>	2
7		830465			Bolt, Rotor <sup>2</sup>	20
8		829327			Wheel Hub <sup>2</sup>	2
9		833191			Wheel Bolt <sup>2</sup>	20
10		828132			Rotor <sup>2</sup>	2
11		MX-1-1601			Nut, Actuator	4
12	828165		828163		Brake L.H.	1
	828164		828162		Brake R.H.	1
13	828107		828116		Actuator L.H.	1
	828108		828117		Actuator R.H.	1
14		833219			"O" Ring	2
15		830464			Bolt, Brake	12
16		130836			Bolt, Head	9
17		130837			Bolt, Head	3
18		828236			Breather Kit	1
19		54254			Magnetic Plug	2
20	603685		603697		Housing	1
21	831460	831460	831463	831464	Head	1
22		132038			Carrier Assy	1
23		127471			Bearing Cap. LH	1
24		127473			Bearing Cap. RH	1
25		210288			Washer	4
26		210095			Capscrew	4
27		90873			Cotter Pin	2
28		129128			Adjuster, Diff. Brg. RH	1
29		129564			Bearing Cup RH	1
30		129563			Bearing Cone RH	1
31		126216			Nut Gear	16
32	511554	511554	511284	511282	Gear Pinion Set	1
33		129686			Bolt Gear	16
34		129599			Spider	1
35		133784			Pinion Differential	4
36		129305			Thrust Washer, Diff Pinion	4
37		127368			Side Gear	1
38		127386			Thrust Washer, Diff Gear	2

Item	Part Number				Description	Qty <sup>0</sup>
	826282 Ratio 7.17	826285 Ratio 7.17	826325 Ratio 6.17	826323 Ratio 5.29		
39			132437		Diff Case Plain	1
40			127465		Bolt Diff Case	12
41			129565		Bearing Cone LH	1
42			129566		Bearing Cup LH	1
43			129130		Adjuster, Diff. Brg. LH	1
44			133740		Diff Case Flange	1
45			126182		Pinion Nut	1
46			118807		Cotter Pin	1
47			127523		Helical Gear Pinion	1
48			127535		Bearing Cone Pinion Outer	1
50			129767		Pinion Brg Cage & Cup Assy	1
49			12495		Bearing Cup Outer	1
51			129561		Bearing Cup Inner	1
52			210115		Bolt	6
53			127595		Shim Pin Bearing cage	AR <sup>3</sup>
54			129079		Spacer	2
55			129560		Bearing Cone Pinion Inner	1
56			SEE ITEM 32		Gear Pinion Set	1
57			127484		Bearinf Pinion Pilot	1
58			210184		Thrust Screw Jam Nut	1
59			126193		Thrust Screw	1
60			7641		Dowel Pin	1
61			132435		Manifold Assy Lube	2
62			128702		Washer Thrust, Input Shaft Hel.	1
63			130907		Helical Gear & Bushing Assy	1
64			134192		Diff Assy Case Interaxle	1
65			132443		Output Side Gear	1
66			132060		Bearing Cone	1
67			110811		Bearing Cup	1
68			128049		Locknut Input Shaft	1
69			127414		Mud Slinger	1
70			832048		Coupling Flange Input	1
71			127591		Oil Seal	1
72			210115		Capscrew Pinion Bearing Cage	6
73			129766		Bearing Cage & Cup Assy	1
74			129559		Cup	1
75			128703		Oil Seal "V" Ring	1
76			127595		Shim Pinion Bearing Cage	1
77			129577		Trough Lube	1
78			129558		Bearing Cone Input Shaft	1
79			128700		Retainer Oil	1

Item	Part Number				Description	Qty <sup>0</sup>
	826282 Ratio 7.17	826285 Ratio 7.17	826325 Ratio 6.17	826323 Ratio 5.29		
21	831460	831460	831463	831464	Head	
80		132447			Input Shaft	1
81		127510			Lockout Clutch	1
82		599792			Plastic Plug	1
83		129573			Piston Cap Assy	1
84		129579			"O" Ring	1
85		129580			Piston	1
86		210180			"O" Ring	1
87		210091			Capscrew	11
88		128415			Washer	11
89		130823			Cover Diff Carrier	1

Item	Part Number				Description	Qty <sup>0</sup>
	826282 Ratio 7.17	826285 Ratio 7.17	826325 Ratio 6.17	826323 Ratio 5.29		
90		129856			Shift Fork Assy	1
91		129859			Compression Spring	1
92		127588			Nut Output Shaft	1
93		832046			Coupling Flange Output	1
94		127557			Mud Slinger	1
95		127592			Oil Seal Output Shaft	1
96		129594			Snap Ring	1
97		127539			Bearing Cup Output Shaft	1
98		127540			Bearing Cone Output Shaft	2
99		127539			Bearing Cup Output Shaft	1
100		134764			Output Shaft	1

### D&R G150 (FORWARD) 826282, 826285, 826325, & 826323 Tightening Torques & Notes

Item	Part Number	Description	Type	Torque (N-m)	Torque (ft-lbs)
1	830434	Bolt, Axle Shaft	M16 x 2	315 - 346	232 - 255
3	833206	Wheel Nut	M22 x 1,5	644 - 712	475 - 525
4	833066	Nut, Spindle	M86 x 2	900 - 1000	664 - 737
7	830465	Bolt, Rotor	M16 x 1,5	273 - 305	201 - 225
11	MX-1-1601	Nut, Actuator	M16 x 1,5	180 - 210	133 - 155
15	830464	Bolt, Brake	M18 x 1,5	413 - 463	305 - 341
16	130836	Bolt, Head	M16 x 2	284 - 393	209 - 290
17	130837	Bolt, Head	M16 x 2	284 - 393	209 - 290
19	54254	Magnetic Plug	3/4 - 14 NPTF	54 - 81	40 - 60

**NOTES:**

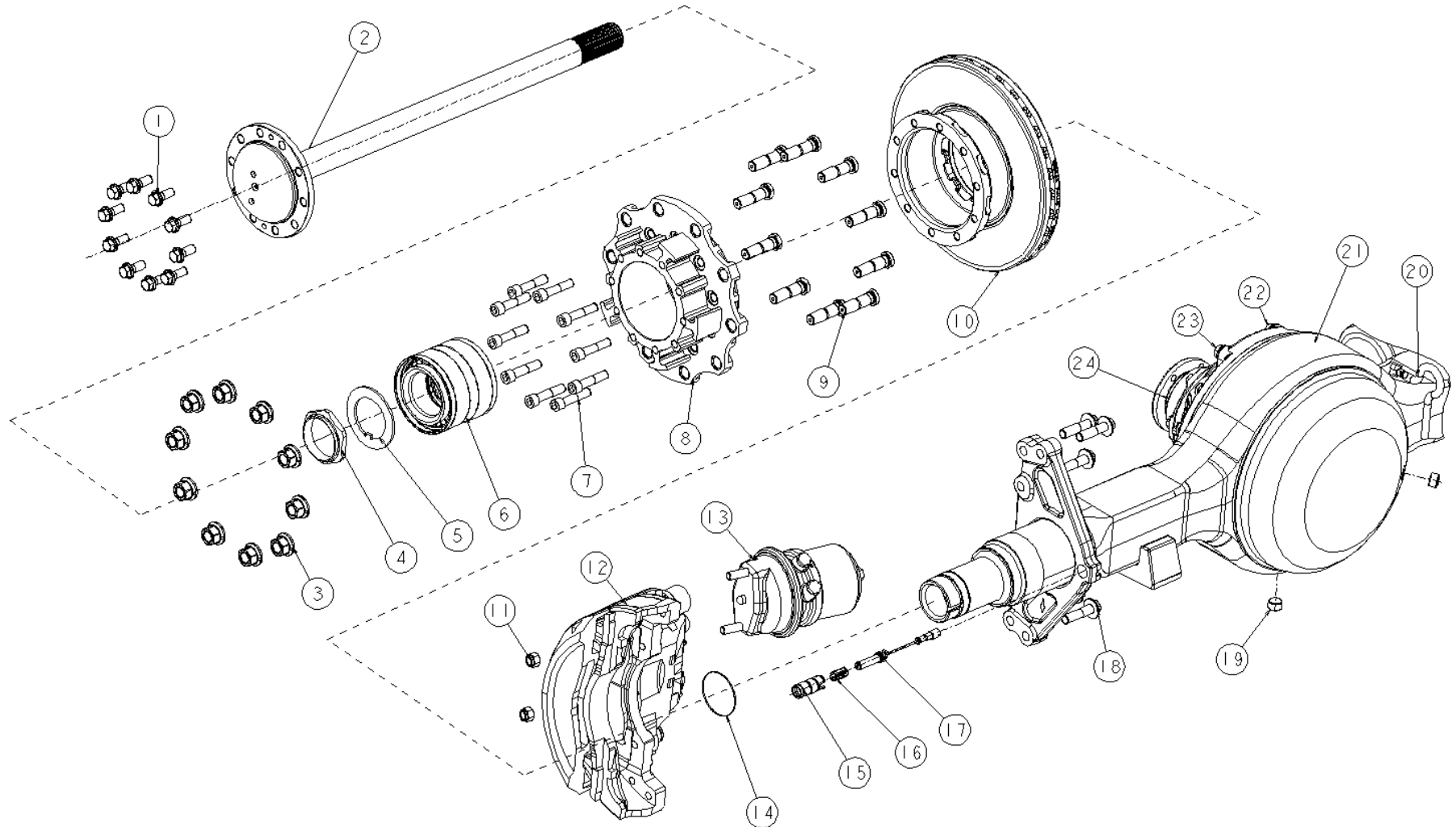
- <sup>0</sup> Quantities listed are for complete axle unit -
- <sup>1</sup> Available as a Service Kit: 829297
- <sup>2</sup> Available as a Sub-Assembly: 829060
- <sup>3</sup> As Required

**ADDITIONAL INFORMATION (AI):**

- AI1 General Information Axles **613505**
- AI2 Service Manual Heads **613506**
- AI3 Service Manual Wheel Ends **613508**
- AI4 Lubrication Manual **613511**



People Finding A Better Way<sup>®</sup>



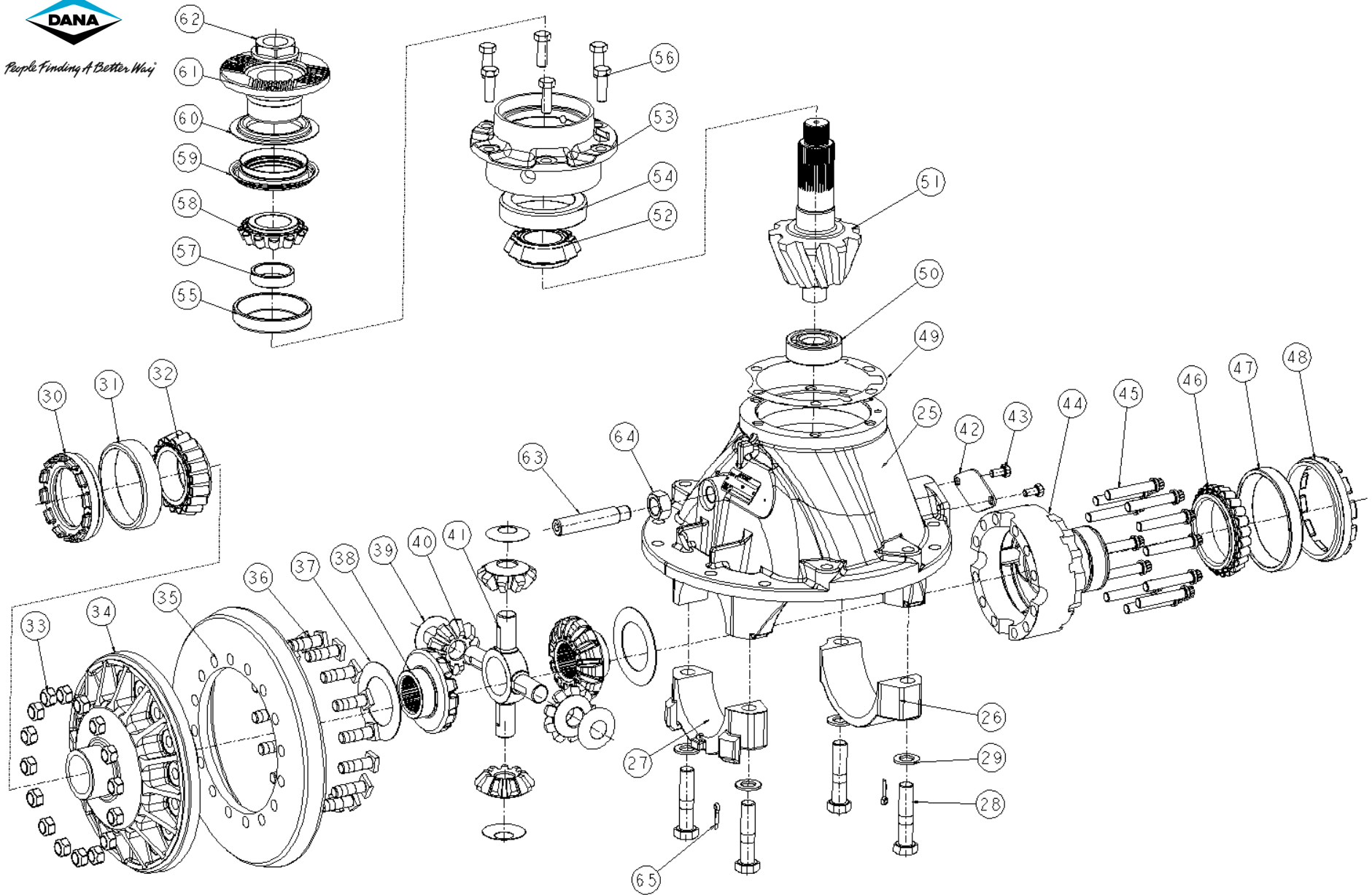
Dana Holding Corporation  
Commercial Vehicle Products – Europe

Technical Publications CVPE © 2008 Dana Limited  
for more information [www.dana.com](http://www.dana.com)





People Finding A Better Way<sup>®</sup>



Dana Holding Corporation  
Commercial Vehicle Products – Europe

Technical Publications CVPE © 2008 Dana Limited  
for more information [www.dana.com](http://www.dana.com)

D&R G150 (REAR) 826283, 826286, 826326, & 826324 Part List

Item	Part Number				Description	Qty <sup>0</sup>
	826283 Ratio 7.17	826286 Ratio 7.17	826326 Ratio 6.17	826324 Ratio 5.29		
1	830434				Bolt, Axle Shaft	20
2	834209				Axle Shaft L.H.	1
	834210				Axle Shaft R.H.	1
3	833206				Wheel Nut	20
4	833066				Nut, Spindle <sup>1</sup>	2
5	833067				Washer, Spindle <sup>1</sup>	2
6	833217				Bearing <sup>2</sup>	2
7	830465				Bolt, Rotor <sup>2</sup>	20
8	829327				Wheel Hub <sup>2</sup>	2
9	833191				Wheel Bolt <sup>2</sup>	20
10	828132				Rotor <sup>2</sup>	2
11	MX-1-1601				Nut, Actuator	4
12	828165	828163			Brake L.H.	1
	828164	828162			Brake R.H.	1
13	828108	828116			Actuator L.H.	1
	828107	828117			Actuator R.H.	1
14	833219				"O" Ring	2
15	603338				Bushing ABS	2
16	830168				Clamping Sleeve ABS	2
17	833207				ABS	2
18	830464				Bolt, Brake	12
19	54254				Magnetic Plug	2
20	828236				Breather Kit	1
21	603686	603698			Housing	1
22	130836				Bolt, Head	8
23	130837				Bolt, Head	4
24	831251A	831251A	831260A	831261A	Head	1
25	131828				Carrier Assy	1
26	128603				Bearing Cap. LH	1
27	127473				Bearing Cap. RH	1
28	210095				Capscrew	4
29	210288				Washer	4
30	129128				Brg. Adjuster (Diff-Case Flange)	1
31	129564				Brg. Cup (Diff-Case Flange)	1

Item	Part Number				Description	Qty <sup>0</sup>
	826283 Ratio 7.17	826286 Ratio 7.17	826326 Ratio 6.17	826324 Ratio 5.29		
32	129563				Brg. Cone (Diff-Case Flange)	1
33	126216				Nut Gear	16
34	133740				Diff Case	1
35	132196	132196	132192	132185	Gear Pinion Set	1
36	129686				Bolt Gear	16
37	127386				Washer Thrust, Side Gear	2
38	127368				Side Gear	2
39	129305				Washer Thrust, Side Pinion	4
40	133784				Side Pinion	4
41	129599				Spider	1
42	830072				Blanking Plate Diff Lock	1
43	ML6010/20S				Bolt	2
44	128607				Diff Case Plain	1
45	127465				Bolt Diff Case	12
46	128604				Brg. Cone (Diff-Case Plain)	1
47	15092				Brg. Cup (Diff-Case Plain)	1
48	128616				Brg. Adjuster (Diff-Case Plain)	1
49	127606L				Shim Pin Brg. Cage	AR <sup>3</sup>
50	127485				Bearing Pinion Pilot	1
51	SEE ITEM 35				Gear Pinion Set	1
52	129562				Brg. Cone Inner (Brg. Cage)	1
53	130150				Pinion Brg. Cage & Cups Assy	1
54	129561				Bearing Cup Inner (Brg. Cage)	1
55	12495				Bearing Cup Outer (Brg. Cage)	1
56	210115				Bolt (Brg. Cage)	6
57	91552L				Spacer Bearing (Pinion)	AR <sup>3</sup>
58	12496				Brg. Cone Outer (Brg. Cage)	1
59	127591				Oil Seal (Pinion)	1
60	127414				Mud Slinger	1
61	832047				Coupling Flange	1
62	127589				Pinion Nut	1
63	126193				Bolt	1
64	210184				Nut	1
65	90873				Cotter Pin	2

## D&R G150 (REAR) 826283, 826286, 826326, & 826324 Tightening Torques & Notes

Item	Part Number	Description	Type	Torque (N-m)	Torque (ft-lbs)
1	830434	Bolt, Axle Shaft	M16 x 2	315 - 346	232 - 255
3	833206	Wheel Nut	M22 x 1,5	644 - 712	475 - 525
4	833066	Nut, Spindle	M86 x 2	900 - 1000	664 - 737
7	830465	Bolt, Rotor	M16 x 1,5	273 - 305	201 - 225
11	MX-1-1601	Nut, Actuator	M16 x 1,5	180 - 210	133 - 155
18	830464	Bolt, Brake	M18 x 1,5	413 - 463	305 - 341
19	54254	Magnetic Plug	3/4 - 14 NPTF	54 - 81	40 - 60
22	130836	Bolt, Head	M16 x 2	284 - 393	209 - 290
23	130837	Bolt, Head	M16 x 2	284 - 393	209 - 290

### NOTES:

- 0 Quantities listed are for complete axle unit -
- 1 Available as a Service Kit: 829297
- 2 Available as a Sub-Assembly: 829060
- 3 As Required

### ADDITIONAL INFORMATION (AI):

- AI1 General Information Axles **613505**
- AI2 Service Manual Heads **613506**
- AI3 Service Manual Wheel Ends **613508**
- AI4 Lubrication Manual **613511**



**Dana Holding Corporation**

Commercial Vehicle Products – Europe

Dana Automoción S.A.

Polígono Industrial de Landaben, Calle E

31012 Pamplona / Spain

TEL (+34-948) 289 100 FAX (+34-948) 188 164

**APPLICATION POLICY**

Capability ratings, features and specifications vary depending upon the model type of service. Applications approvals must be obtained from Commercial Vehicle Products - Europe. We reserve the right to change or modify our product specifications, configurations, or dimensions at any time without notice.

*People Finding A Better Way<sup>®</sup>*