



SPEC00001091

ILLUSTRATED PART LIST

Customer: DENNIS EAGLE
Axle Model: D&R G150
Axle P/N: 10009451 *1040708* 10009452 *1040720*
10121735 *1087978* 10121736 *1087979*
10027750 *1045408* 10027751 *1045411*
10027748 *1045407* 10027749 *1045410*
10027752 *1045409* 10027753 *1045412*
10025708 *1043561* 10025709 *1043564*
10025706 *1043560* 10025707 *1043563*
10027754 *1045413* 10027755 *1045414*
Issue: B

The description, testing procedures, and specifications contained in this parts / service publication were current at time of writing. This manual will not be updated. If in doubt about any aspect of maintenance or servicing of the axle please contact the vehicle builder or our service department directly.

SPICER[®] products are subject to continuous development and we reserve the right to modify procedures and to make changes in specifications at any time without prior notice and without incurring in any obligation.

The recommendations of the vehicle manufacturer should be considered as the primary source of service information regarding this **SPICER**[®] product. This manual is intended to be used as a supplement to such information.

Any references to brand names in this publication are made simply as an example of the types of tools and materials recommended for use and, as such, should not be considered as an endorsement.

This manual is the property of **Commercial Vehicle Products – Europe**, a division of **Dana Holding Corporation**, and may not be copied or disseminated without prior agreement of **Commercial Vehicle Products– Europe**, a division of **Dana Holding Corporation**.

Commercial Vehicle Products – Europe, a division of **Dana Holding Corporation**, recommends following all manufacturers recommendations for the proper handling and disposal of lubricants and solvents. For further information please contact the lubricants and solvents supplier.

EVERY EFFORT HAS BEEN MADE TO ENSURE THE ACCURACY OF THE INFORMATION CONTAINED WITHIN THIS MANUAL.

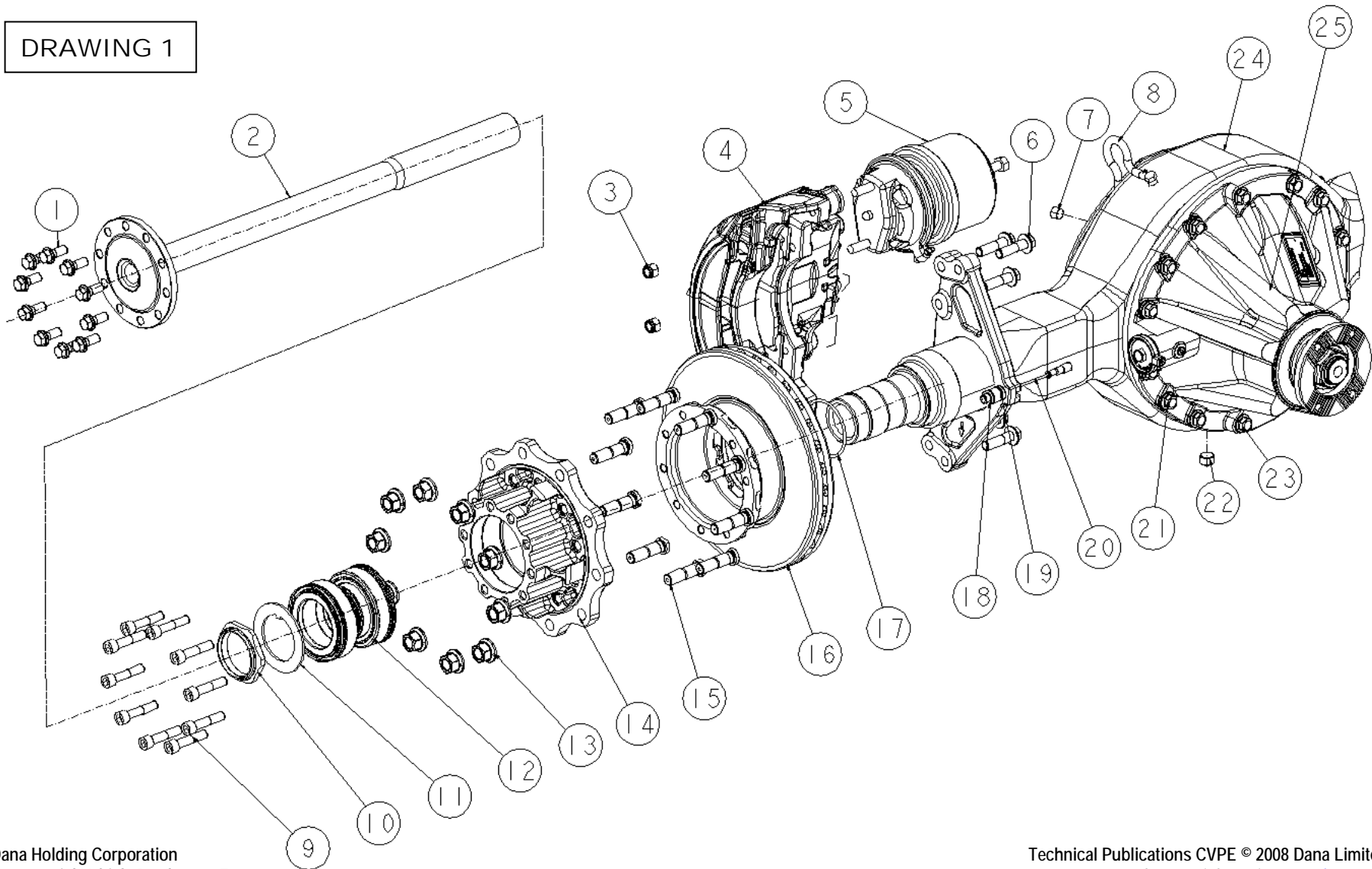
HOWEVER, COMMERCIAL VEHICLE PRODUCTS – EUROPE, A DIVISION OF DANA HOLDING CORPORATION, MAKES NO EXPRESSED OR IMPLIED WARRANTY OR REPRESENTATION BASED ON THE ENCLOSED INFORMATION.

Last Modification	Approved by	Date	Issue	Eng. Change
Released	Pedro Sagüés	16/05/19	A	EW062119
Item 13 was 833206	Alfredo Urio	11/06/20	B	EW073924



People Finding A Better Way

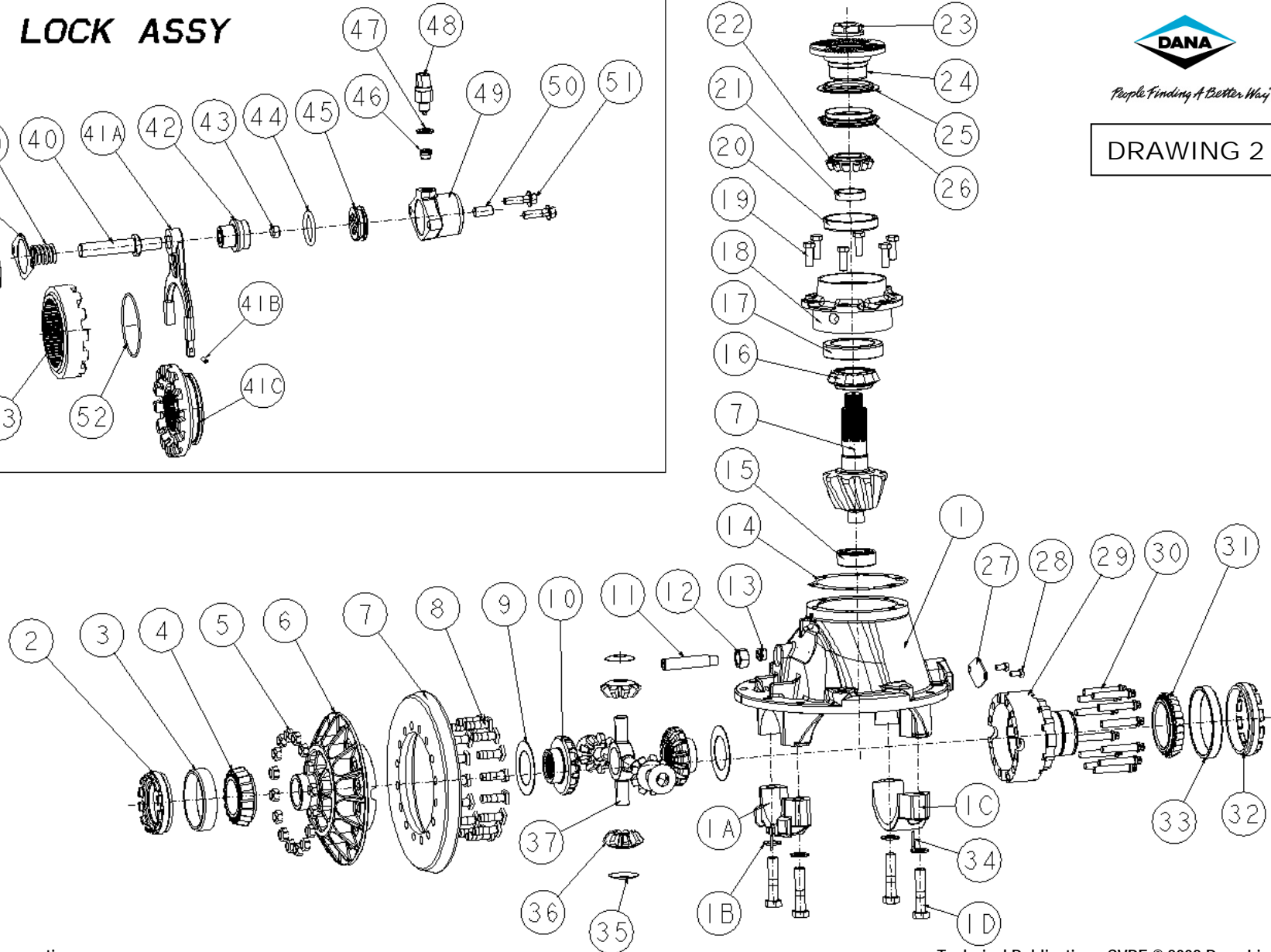
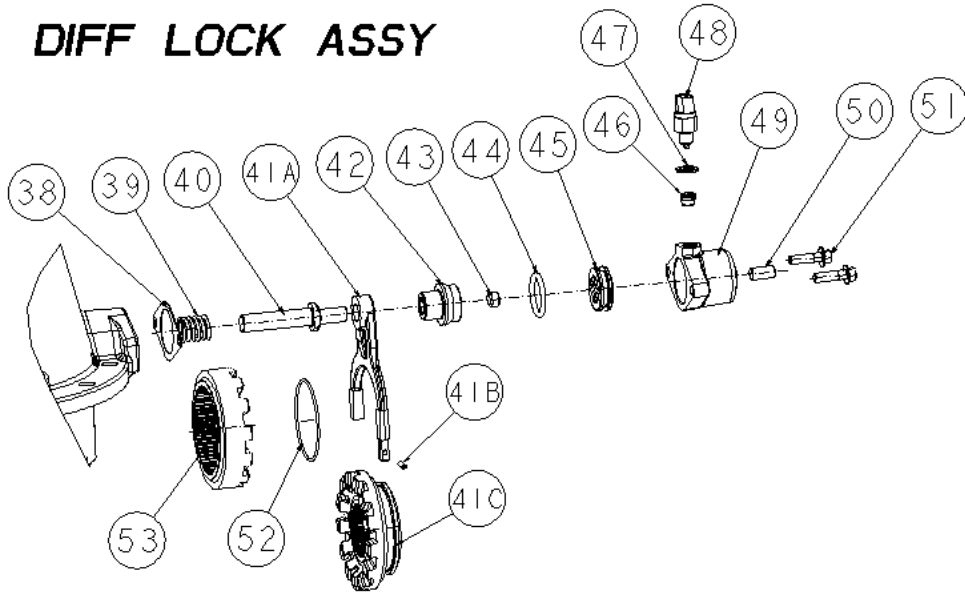
DRAWING 1



Dana Holding Corporation
Commercial Vehicle Products - Europe

Technical Publications CVPE © 2008 Dana Limited
for more information www.dana.com

DIFF LOCK ASSY



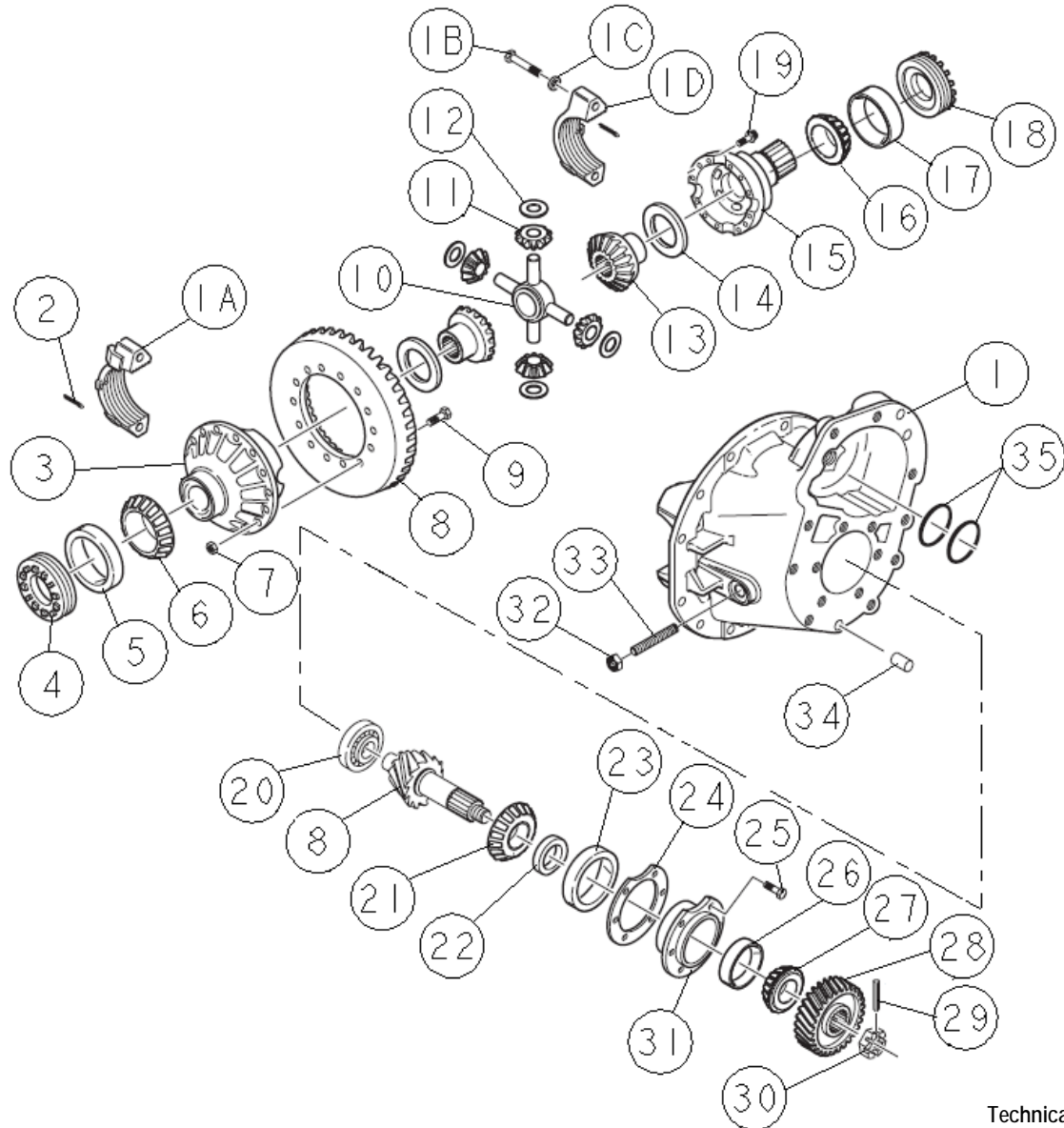
Dana Holding Corporation
 Commercial Vehicle Products – Europe

Technical Publications CVPE © 2008 Dana Limited
 for more information www.dana.com



People Finding A Better Way

DRAWING 3



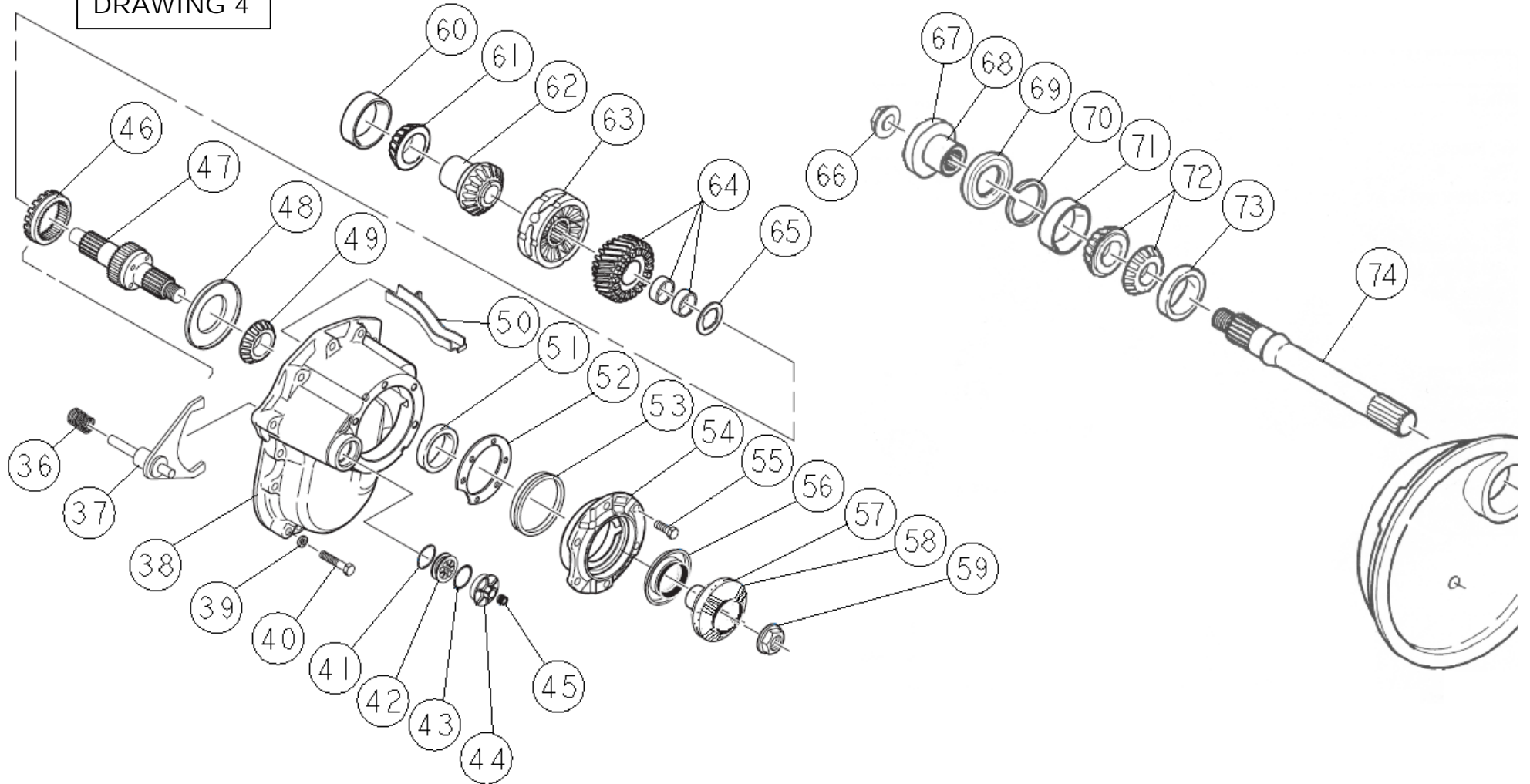
Dana Holding Corporation
Commercial Vehicle Products – Europe

Technical Publications CVPE © 2008 Dana Limited
for more information www.dana.com



People Finding A Better Way

DRAWING 4



Dana Holding Corporation
Commercial Vehicle Products - Europe

Technical Publications CVPE © 2008 Dana Limited
for more information www.dana.com

D 150 (FORWARD) Axle Part List (DRAWING 1)

Item	Part Number								Description	Qty
	10027750 1045408	10027748 1045407	10027752 1045409	10025708 1043561	10025706 1043560	10027754 1045413	10121735 1087978	10009451 1040708		
1	10005528								Axle shaft Bolt	20
2	10001068								Axle shaft – LH	1
	10001069								Axle shaft – RH	1
3	10031188								Air Chamber Nut	4
4	828163				828134				Air Disc Brake assy – LH	1
	828162				828133				Air Disc Brake assy – RH	1
5	828116				828151				Air Chamber – LH	1
	828117				828152				Air Chamber – RH	1
6	830464								Brake fixing Bolt	12
7	54254								Magnetic Plug	1
8	828236								Breather Kit	1
9	830465								Hub-Rotor Bolt	20
10	10005280								Spindle Nut	2
11	10005279								Spindle Washer	2
12	10020774								Bearing ¹	2
13	N/A								Wheel Nut	20
14	10005144								Wheel Hub ¹	2
15	10019427								Wheel Bolt ¹	20
16	828132								Rotor	2
17	10010490								"O" Ring ¹	2
18	N/A								ABS Bushing	2
19	N/A								ABS Bracket	2
20	N/A								ABS Sensor	2
21	130836								Head fixing Bolt	9
22	54254								Magnetic Plug	1
23	130837								Head fixing Bolt	3
24	10009449								Housing	1
25	831267	831268	10025624	831463	831464	10025626	10091489	831460	Head	1

NOTES:

¹ Available as a Service Kit: 17777/494

R 150 (REAR) Axle Part List (DRAWING 1)

Item	Part Number								Description	Qty
	10027751 1045411	10027749 1045410	10027753 1045412	10025709 1043564	10025707 1043563	10027755 1045414	10121736 1087979	10009452 1040720		
1	10005528								Axle shaft Bolt	20
2	10001069								Axle shaft – LH	1
	10001068								Axle shaft – RH	1
3	10031188								Air Chamber Nut	4
4	828163				828134				Air Disc Brake assy – LH	1
	828162				828133				Air Disc Brake assy – RH	1
5	828116				828151				Air Chamber – LH	1
	828117				828152				Air Chamber – RH	1
6	830464								Brake fixing Bolt	12
7	54254								Magnetic Plug	1
8	828236								Breather Kit	1
9	830465								Hub-Rotor Bolt	20
10	10005280								Spindle Nut	2
11	10005279								Spindle Washer	2
12	10020774								Bearing ¹	2
13	N/A								Wheel Nut	20
14	10005144								Wheel Hub ¹	2
15	10019427								Wheel Bolt ¹	20
16	828132								Rotor	2
17	10010490								"O" Ring ¹	2
18	830168								ABS Bushing	2
19	603338								ABS Bracket	2
20	833207								ABS Sensor	2
21	130836								Head fixing Bolt	8
22	54254								Magnetic Plug	1
23	130837								Head fixing Bolt	4
24	10009450								Housing	1
25	831262A	831255A	10025625	831260A	831261A	10025627	10091488	831251A	Head	1

NOTES:

¹ Available as a Service Kit: 17777/494

R150 (Rear) Head Part List (DRAWING 2)

Item	Part Number								Description	Qty
	831262A RATIO 6,17	831255A RATIO 5,29	10025625 RATIO 6,5	10091488 7,17	831260A RATIO 6,17	831261A RATIO 5,29	10025627 RATIO 6,5	831251A RATIO 7,17		
1	131828								Carrier Sub-Assy (Including)	1
1A	127473								Bearing Cap (Flange Half)	1
1B	210288								Washer Plain (Bearing Cap)	4
1C	128603								Bearing Cap (Case-Diff)	1
1D	134481								Bearing Cap Bolt	4
2	129128								Bearing Adjuster	1
3	134298								Bearing Cup	1
4	134297								Bearing Cone	1
5	126216								Nut Gear	16
6	133740								Diff Case	1
7	132192	132185	132194	132196	132192	132185	132194	132196	Gear Set	1
8	10010020								Bolt Gear	16
9	127386								Washer Thrust (Side Gear)	2
10	127368								Side Gear	2
11	126193								Bolt	1
12	210184								Nut	1
13	N/A								Plug "O"-Ring Special	1
14	127606L								Shim Pin Bearing Cage	As Req.
15	10038914								Bearing Pilot	1
16	134306								Bearing Cone (Pinion Inner)	1
17	134292								Bearing Cup (Pinion Inner)	1
18	10002988								Pinion Brg Cage & Cups Assy	1
19	210115								Bearing Cage Bolt	6
20	134295								Bearing Cup (Pinion Outer)	1
21	91552L								Spacer Bearing (Pinion)	As Req.
22	134308								Bearing Cone (Pinion Outer)	1
23	127589								Pinion Nut	1
24	832047								Coupling Flange	1
25	139782								Mud Slinger	1
26	2019185								Seal Oil (Pinion)	1
27	N/A			830072					Blanking Plate Diff Lock	1
28	N/A			ML6010/20S					Blanking Plate Diff Lock Bolt	2
29	128607								Diff Case (Plain)	1
30	127465								Diff Case Bolt	12

REF. INCLUDING ON ITEM 18 (10002988)

REF. INCLUDING ON ITEM 18 (10002988)

R150 (Rear) Head Part List (DRAWING 2)

Item	Part Number								Description	Qty
	831262A RATIO 6,17	831255A RATIO 5,29	10025625 RATIO 6,5	10091488 RATIO 7,17	831260A RATIO 6,17	831261A RATIO 5,29	10025627 RATIO 6,5	831251A RATIO 7,17		
31					134331				Bearing Cone	1
32					128616				Bearing Adjuster	1
33					134332				Bearing Cup	1
34					90873				Cotter Pin	2
35					129305				Washer Thrust (Pinion Side)	4
36					133784				Pinion Side	4
37					129599				Spider (Diff)	1
38		128643				N/A			Gasket Piston Cover	1
39		128614				N/A			Spring Compression	1
40		132488				N/A			Rod Push	1
41		128610				N/A			Shift Fork Assy (Including)	1
41A						N/A			Shift Fork	1
41B		217465				N/A			Pin (Shift Fork)	1
41C		126840				N/A			Clutch Sliding	1
42		132489				N/A			Piston Driver	1
43		128618				N/A			Plug	1
44		210180				N/A			"O"-Ring	1
45		128624				N/A			Diff Lock Piston	1
46		N/A				N/A			"O"-Ring Plug	1
47		129034				N/A			Washer	1
48		129035				N/A			Sw itch	1
49		129425				N/A			Piston Cover	1
50		129946				N/A			Capscrew	1
51		128744				N/A			Piston Cover Bolt	2
52		129433				N/A			Circlip	1
53		128627				N/A			Gear Sliding Clutch	1

D150 (Forward) Head Part List (DRAWING 3 & 4)

Item	Part Number								Description	Qty
	831267 RATIO 6,17	831268 RATIO 5,29	10025624 RATIO 6,5	10091489 RATIO 7,17	831463 RATIO 6,17	831464 RATIO 5,29	10025626 RATIO 6,5	831460 RATIO 7,17		
1	132043				132038				Carrier Sub-Assy (Including)	1
1A	127473				127473				Bearing Cap RH	1
1B	134481				134481				Bearing Cap Bolt	4
1C	210288				210288				Washer Plain (Bearing Cap)	4
1D	10014675				127471				Bearing Cap LH	1
2	90873								Cotter Pin	2
3	133740								Diff Case Flange	1
4	129128								Adjuster Diff Bearing RH	1
5	134298								Bearing Cup RH	1
6	134297								Bearing Cone RH	1
7	126216								Nut Gear	16
8	511284	511282	511553	511554	511284	511282	511553	511554	Gear Set	1
9	10010020								Bolt Gear	16
10	129599								Spider	1
11	133784								Pinion Side	4
12	129305								Washer Thrust (Pinion Side)	4
13	127368								Side Gear	2
14	127386								Washer Thrust (Side Gear)	2
15	128607				132437				Diff Case Plain	1
16	134331				134300				Bearing Cone LH	1
17	134332				134301				Bearing Cup LH	1
18	128616				134608				Adjuster Diff Bearing LH	1
19	127465								Diff Case Bolt	12
20	10038915								Bearing Pinion Pilot	1
21	134291								Bearing Cone (Pinion Inner)	1
22	129078								Spacer	1
23	134292								Bearing Cup (Pinion Inner)	1
24	127606								Shim Pin Bearing Cage	As Req.
25	210115								Bolt	6
26	134295								Bearing Cup (Pinion Outer)	1
27	134294								Bearing Cone (Pinion Outer)	1
28	10000336								Helical Gear Pinion	1
29	118807								Cotter Pin	1
30	126182								Pinion Nut	1

REF. INCLUDING ON ITEM 31 (134316)

REF. INCLUDING ON ITEM 31 (134316)

D150 (Forward) Head Part List (DRAWING 3 & 4)

Item	Part Number								Description	Qty
	831267 RATIO 6.17	831268 RATIO 5.29	10025624 RATIO 6.5	10091489 RATIO 7.17	831463 RATIO 6.17	831464 RATIO 5.29	10025626 RATIO 6.5	831460 RATIO 7.17		
31								134316	Pinion Brg Cage & Cups Assy	1
32								210184	Thrust Screw Jam Nut	1
33								126193	Thrust Screw	1
34								7641	Dow el Pin	2
35								132435	Manifold Assy Lube	1
36								129859	Compresion Spring	1
37								129856	Shift Fork Assy	1
38								130823	Cover Diff Carrier	1
39								128415	Washer	11
40								210091	Capscrew	11
41								210180	"O" Ring	1
42								129580	Piston	1
43								210180	"O" Ring	1
44								129573	Piston Cap Assy	1
45								599792	Plastic Plug	1
46								127510	Lockout Clutch	1
47								132447	Input Shaft	1
48								128700	Retainer Oil	1
49								134303	Bearing Cone Input Shaft	1
50								129577	Trough Lube	1
51								134304	Cup	1
52								127606	Shim Pinion Bearing Cage	As Req.
53								128703	Oil Seal "V" Ring	1
54								134290	Bearing Cage & Cups Assy	1
55								210115	Capscrew Bearing Cage	6
56								2019185	Oil Seal	1
57								832048	Coupling Flange	1
58								139782	Mud Slinger	1
59								128049	Locknut Input Shaft	1
60								110811	Bearing Cup	1
61								132060	Bearing Cone	1
62								10049643	Output Side Gear	1
63								10085729	Diff Assy Case Interaxle	1
64								10000528	Healical Gear & Bushing Assy	1

D150 (Forward) Head Part List (DRAWING 4)

Item	Part Number								Description	Qty
	831267 RATIO 6,17	831268 RATIO 5,29	10025624 RATIO 6,5	10091489 RATIO 4,17	831463 RATIO 6,17	831464 RATIO 5,29	10025626 RATIO 6,5	831460 RATIO 7,17		
65					132439				Washer Thrust (Input Shaft Hel.)	1
66					127588				Nut Output Shaft	1
67					832046				Coupling Flange Output	1
68					2022741				Mud Slinger	1
69					2022740				Oil Seal Output Shaft	1
70					129594				Snap Ring	1
71					127539				Bearing Cup Output Shaft	1
72					127540				Bearing Cone Output Shaft	2
73					127539				Bearing Cup Output Shaft	1
74					134764				Output Shaft	1
DIFF LOCK ASSY (DRAWING 2)										
38		128643					N/A		Gasket Piston Cover	1
39		128614					N/A		Spring Compression	1
40		132488					N/A		Rod Push	1
41		128610					N/A		Shift Fork Assy (Including)	1
41A							N/A		Shift Fork	1
41B		217465					N/A		Pin (Shift Fork)	1
41C		126840					N/A		Clutch Sliding	1
42		132489					N/A		Piston Driver	1
43		128618					N/A		Plug	1
44		N/A					N/A		"O"-Ring	1
45		128624					N/A		Diff Lock Piston	1
46		N/A					N/A		"O"-Ring Plug	1
47		129034					N/A		Washer	1
48		129035					N/A		Sw itch	1
49		129425					N/A		Piston Cover	1
50		129946					N/A		Capscrew	1
51		128744					N/A		Piston Cover Bolt	2
52		129433					N/A		Circlip	1
53		128627					N/A		Gear Sliding Clutch	1

For any maintenance / repair activity, please consult following Service Manuals:

613508 Wheel Ends

AXSM-0046 (SPEC00000964) Tandem Axles, Front Drive Head

613506 Tandem Axles, Rear Drive Head

613505 General Information

613511 Lubrication



Dana Holding Corporation
Commercial Vehicle Products – Europe
Dana Automoción S.A.
Polígono Industrial de Landaben, Calle E
31012 Pamplona / Spain
TEL (+34-948) 289 100 FAX (+34-948) 188 164

APPLICATION POLICY

Capability ratings, features and specifications vary depending upon the model type of service. Applications approvals must be obtained from Commercial Vehicle Products - Europe. We reserve the right to change or modify our product specifications, configurations, or dimensions at any time without notice.

People Finding A Better Way[®]