



FULL ROUND 10 SERIES SERRATED BOLTS

SERVICE/TECHNICAL

DATE: 26/10/2005

TO: All Service & Part Departments.

Part Numbers: 5.73.709 – 6.73.209 (serrated bolts 1610 to 1810 series)

5.73.109 – 6.73.109 (standard bolts lock strap 1610 to 1810 series)

This bulletin is to clarify the use of serrated bolts, standard bolts and lock straps on full round yokes.

- **ALL** retaining bolts once loosened **MUST NOT** be re-used, they must be replaced with new.
- Serrated bolts **MUST NOT** be used with a lock strap.
- The design of the serrated bolt and the lock strap bolt are different and cannot be mixed.
 - If a lock strap is used on a serrated bolt you will be unable to apply the correct torque to the bolt, also as the serrated bolt is shorter in length the lock strap will reduce the thread penetration. This action can lead to separation of the driveshaft from the vehicle or machine.

Once the serrated bolts have been removed use the table below to find the correct replacement bolt part and torque.

Series	Bolt Part Number	Recommended Bolt Torque	N•m
1610	5-73-709	26-35 lbs. ft.	35.3 - 47.5
1710	6-73-209	38-48 lbs. ft.	51.5 - 65.1
1760	6-73-209	38-48 lbs. ft.	51.5 - 65.1
1810	6-73-209	38-48 lbs. ft.	51.5 - 65.1

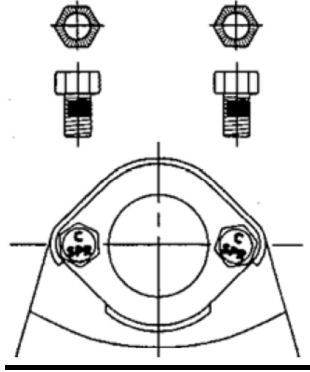
The bolt torque specifications refer to Spicer bearing straps and bearing plates only. If using original-equipment bearing straps and bearing plates, refer to manufacturer's service manual for proper bolt torque specifications.

DRIVESHAFT INFO

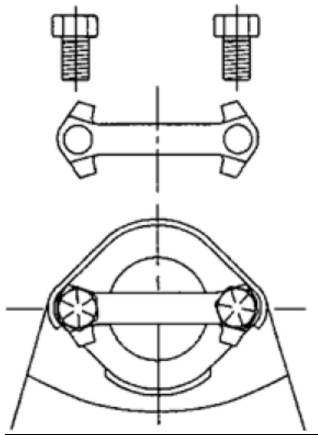
SPICER®



SERRATED BOLT WITH LOCK PATCH



LOCK STRAP DESIGN



Current literature can be downloaded from www.spicerparts.com. Click on the Literature button or The EXPERT® icon, and navigate to the literature needed.

Should you have any queries on the above or require further information, please contact Dana Australia on 1300 00 DANA

Shane Carey
Sales & Service Representative
Spicer® Driveline Products

Encl DA072005

DRIVESHAFT INFO